



EIKON: MASTER dimmer 230V grey

20136

Wiring devices / Traditional wiring devices / EIKON / Devices

MASTER dimmer 230V grey

Universal-dimmer 230 V~ 50 Hz, phase-cutting, for: 40-500 W incandescent lamps, 40-300 VA electronic transformers, 10-200 W CFL lamps, 3-200 W LED lamps and LED phase-cutting electronic transformers, ON/OFF or built-in or from NO peripheral push buttons control, regulation by rotary potentiometer, MASTER function, minimum luminosity regulation, visible in darkness, grey. Not for IsoSet enclosures



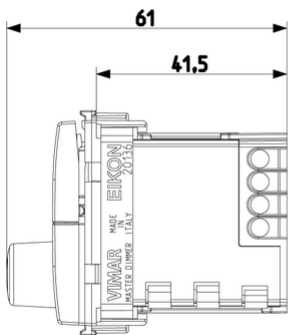
Product Status

9 - Discontinued

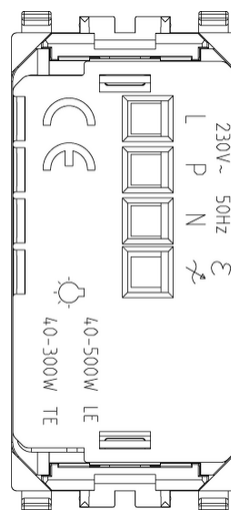
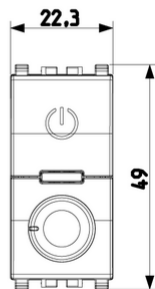
Sheets, Manuals, Documentation

- [FI - Foglio istruzioni ZIS_49400568C0 \(1724 kb\)](#)

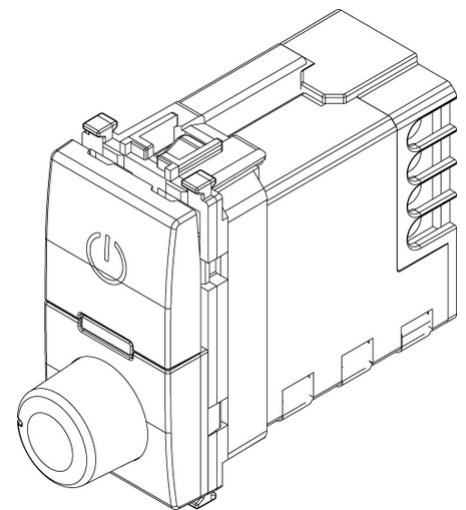
Drawings



Space view



Backside view



3D View

Legal

Vimar reserves the right to change at any time and without notice the characteristics of the products reported. Installation should be carried out by qualified staff in compliance with the current regulations regarding the installation of electrical equipment in the country where the products are installed. For the terms of use of the information on the product info sheet see [Conditions of Use](#).