



Surface mounting components: IP 10in touch screen PoE black

01425

Smart systems&products / View smart system / Surface mounting components / Devices

IP 10in touch screen PoE black

10" colour touch screen via specific gateway, used for home automationsystem supervision, IP/Due Fili Plus internal video entryphone, IP video camera and CCTV system manager, power supply PoE or 12-30 Vdc, complete with mounting frame for 8 (4+4)-module flush mounting boxes, to be completed with 10" cover plate, black



Product Status

2 - Will be discontinued

Minimum order quantity

1 NR

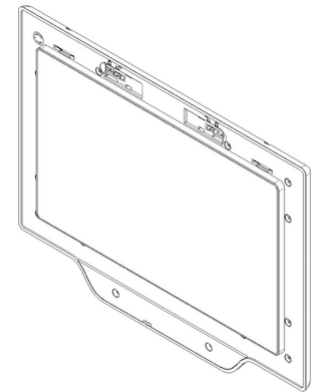
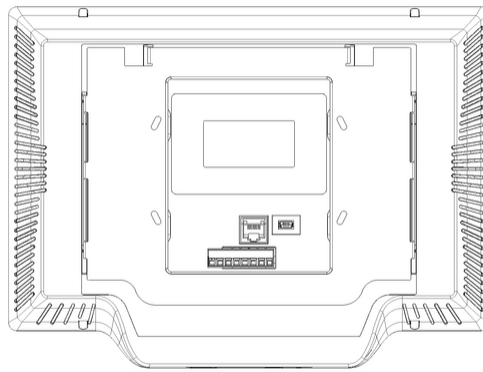
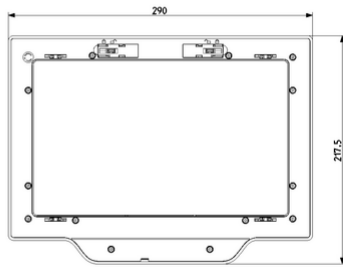
Sheets, Manuals, Documentation

- [Multilanguage instructions sheet \(2017 kb\)](#)
- [Manuale piattaforma View IoT Smart Syst. \(8871 kb\)](#)
- [Manuel plateforme View IoT Smart System \(6444 kb\)](#)
- [Installer manual View IoT Smart Systems \(6526 kb\)](#)
- [Manual plataforma View IoT Smart System \(6787 kb\)](#)
- [Εγχειρίδιο πλατφόρμα View IoT Smart Syst \(6630 kb\)](#)
- [Install. Plattform View IoT Smart System \(6412 kb\)](#)
- [Manuale utente touch screen \(6113 kb\)](#)
- [User Manual Touch screen \(5444 kb\)](#)

Product Software

- [FW_TouchScreenDomoticoIP10_REL-02.01.124_20240205.zip](#)

Drawings



Space view

Backside view

3D View

Certifications

- 00. CE Marking - EU
- 37. Marking - Morocco
- 46. UK PSTI compliance ([download](#))
- 92. RoHS UAE
- 99. WEEE Directive ([download](#))

Technical data

Class group: Installation bus systems

Class: Signalling and operation panel for bus system

Bus system KNX: No

Bus system KNX-RF (Radio Frequency): No

Bus system radio frequency: No

Bus system LON: No

Bus system Powernet: No

Other bus systems: Other

Radio frequency bidirectional: No

Assembly arrangement: Other

Model: Signalling and operating panel

Mounting method: Flush-mounted

Text field: No

Display: TFT LCD

Touch function: Yes

Additional interfaces: Ethernet

With bus connection: No

Material: Glass

Material quality: Other

Colour: Black

RAL-number (similar): 9004

Degree of protection (IP): IP20

Packaging



8007352586048

Qtà 1 NR

Dim 40.5x30x12 [cm]

Weight 1,746 [g]

Alternative products



01426 - IP 10in touch screen PoE black



01426.B - IP 10" touch screen PoE white

You may also be interested in



01410 - By-me home automation Light Gateway



01411 - By-me home automation Gateway



03812 - By-alarm Plus burglar alarm gateway



01415 - Video entry system gateway 2F+



01416 - IP video entry system router

Legal

Vimar reserves the right to change at any time and without notice the characteristics of the products reported. Installation should be carried out by qualified staff in compliance with the current regulations regarding the installation of electrical equipment in the country where the products are installed. For the terms of use of the information on the product info sheet see [Conditions of Use](#).