



Shared components: Energy meter 3IN toroidal sensor

01450

Smart systems&products / By-me Plus / Shared components / DIN devices

Energy meter 3IN toroidal sensor

Energy meter, 3 inputs for toroidal current sensor, measurable powers 25 W-100 kW, single phase power supply 120-230 V 50/60 Hz three phase 230/400 V 50/60 Hz, installation on DIN rail (60715 TH35), occupies 1 x 17.5 mm module. Supplied with toroidal current sensor.



Product Status

3 - Active

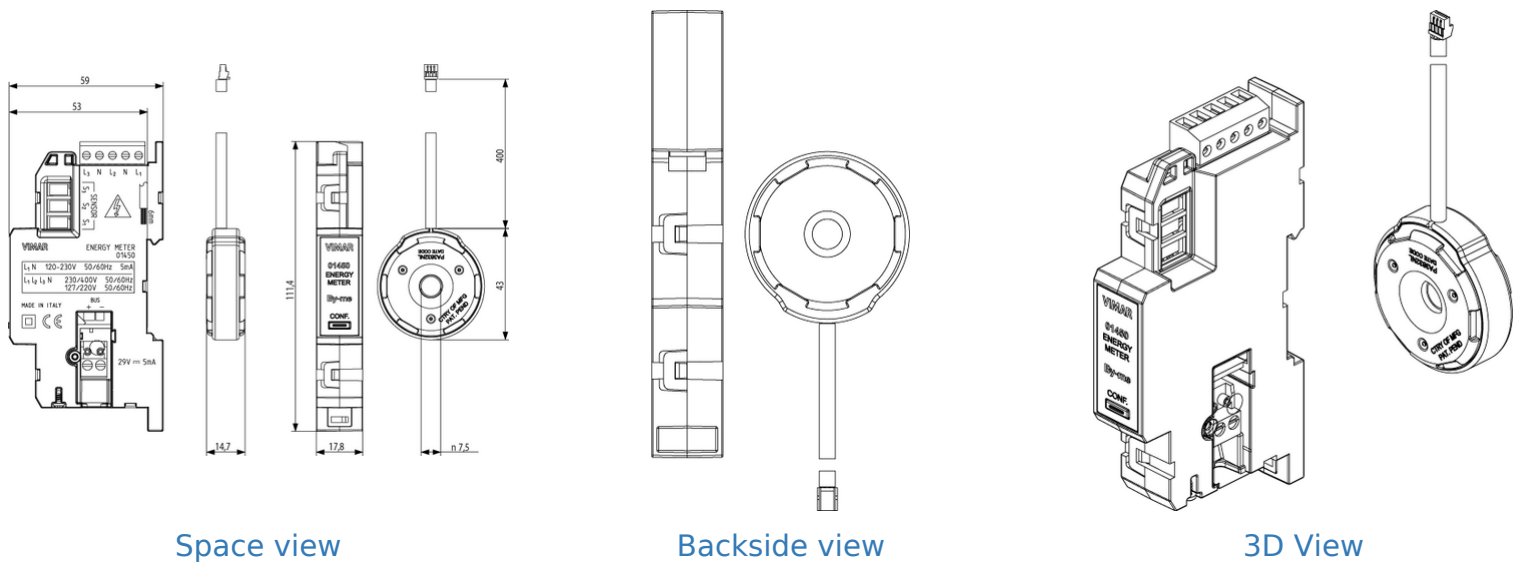
Minimum order quantity

1 NR

Sheets, Manuals, Documentation

- [Multilanguage instructions sheet \(2615 kb\)](#)
- [By-me automation-fw Compatibility \(206 kb\)](#)

Drawings



Space view

Backside view

3D View

Certifications

- 00. CE Marking - EU
- 37. Marking - Morocco
- 46. UK PSTI compliance ([download](#))
- 96. Electrotechnical expert ([download](#))
- 99. WEEE Directive ([download](#))

Technical data

Class group: Installation bus systems

Class: Sensor control for bus system

Bus system KNX: No

Bus system KNX-RF (Radio Frequency): No

Bus system radio frequency: No

Bus system LON: No

Bus system Powernet: No

Other bus systems: Other

Model: Other

Mounting method: Other

Number of inputs: 3

Degree of protection (IP): IP20

Packaging



8007352498914

Qtà 1 NR

Dim 14.2x6.7x5.9
[cm]

Weight 119.8 [g]

You may also be interested in



01455 - Loads control module 3IN current sensor



01452 - Impulse counter interface



01456 - Actuator 16A+current and RCBO-sensor



01457 - Toroidal current sensor 7.5mm hole



01458 - Toroidal current sensor 19mm hole

Legal

Vimar reserves the right to change at any time and without notice the characteristics of the products reported. Installation should be carried out by qualified staff in compliance with the current regulations regarding the installation of electrical equipment in the country where the products are installed. For the terms of use of the information on the product info sheet see [Conditions of Use](#).