



## Shared components: Impulse counter interface

### 01452

Smart systems&products / By-me Plus / Shared components /  
Non-modular components

### Impulse counter interface

Pulse counter interface for measuring data from devices fitted with pulse outputs, such as electricity, water and gas meters, flush mounting (retrofit)



### Product Status

3 - Active

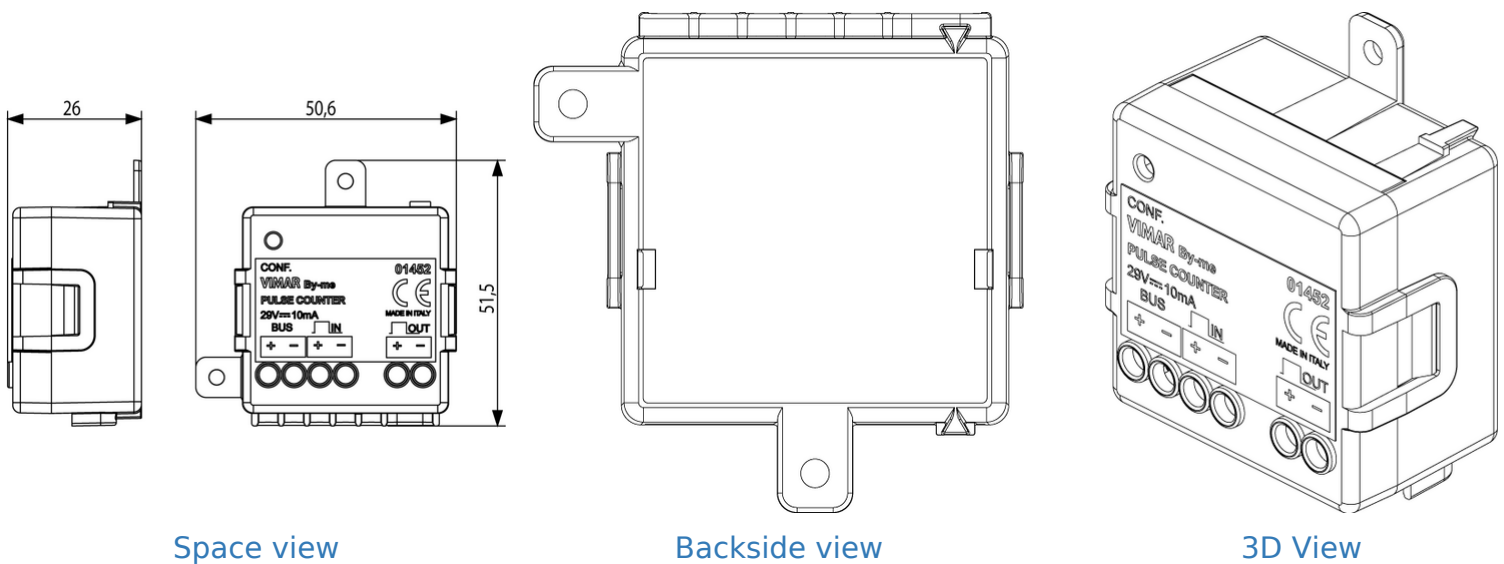
### Minimum order quantity

1 NR

## Sheets, Manuals, Documentation

- [Multilanguage instructions sheet \(1205 kb\)](#)
- [By-me automation-fw Compatibility \(206 kb\)](#)

## Drawings



Space view

Backside view

3D View

## Certifications

- 00. CE Marking - EU
- 37. Marking - Morocco
- 46. UK PSTI compliance ([download](#))
- 96. Electrotechnical expert ([download](#))
- 99. WEEE Directive ([download](#))

## Technical data

**Class group:** Installation bus systems

**Class:** Sensor control for bus system

**Bus system KNX:** No

**Bus system KNX-RF (Radio Frequency):** No

**Bus system radio frequency:** No

**Bus system LON:** No

**Bus system Powernet:** No

**Other bus systems:** Other

**Model:** Other

**Mounting method:** Other

**Number of inputs:** 1

**Degree of protection (IP):** IP20

## Packaging



8007352493216

**Qtà** 1 NR

**Dim** 5.1x2.8x5.3 [cm]

**Weight** 46.4 [g]



8007352493223

**Qtà** 5 NR

**Dim** 14.4x11.6x6 [cm]

**Weight** 280 [g]

## You may also be interested in



01475 - Home automation module 3IN 3OUT LED



01476 - Home autom.module 2IN 3OUT (1blind+2LED)



01477 - Home autom.module 2IN 3OUT (1relay+2LED)

## Legal

Vimar reserves the right to change at any time and without notice the characteristics of the products reported. Installation should be carried out by qualified staff in compliance with the current regulations regarding the installation of electrical equipment in the country where the products are installed. For the terms of use of the information on the product info sheet see [Conditions of Use](#).