



Shared components: Toroidal current sensor 19mm hole

01458

Smart systems&products / By-me Plus / Shared components /
Non-modular components

Toroidal current sensor 19mm hole

Toroidal current sensor for load control and power measurement,
hole diameter 19 mm, cable length 40 cm

Product Status

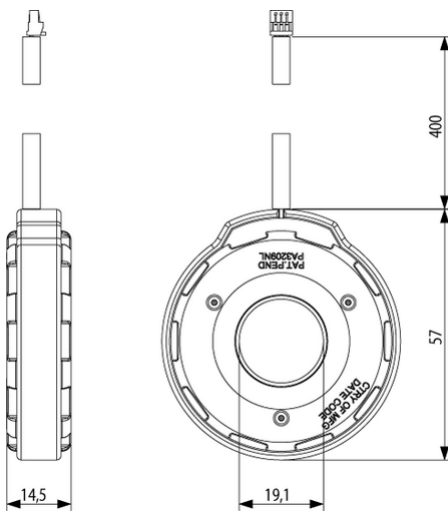
3 - Active

Minimum order quantity

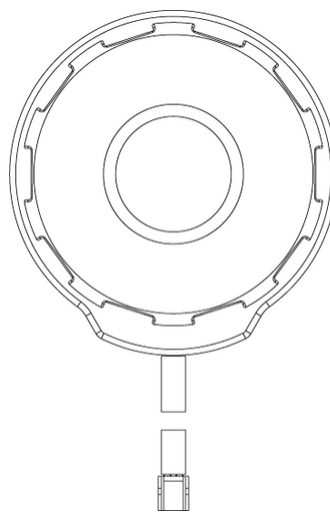
1 NR



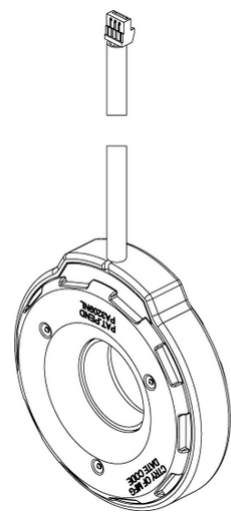
Drawings



Space view



Backside view



3D View

Certifications

- 00. CE Marking - EU
- 96. Electrotechnical expert ([download](#))
- 99. WEEE Directive ([download](#))

Technical data

Class group: Installation bus systems

Class: Energy management for bus system

Bus system KNX: No

Bus system KNX-RF (Radio Frequency): No

Bus system radio frequency: No

Bus system LON: No

Bus system Powernet: No

Other bus systems: None

Radio frequency bidirectional: No

Model: Direct/transformer

Connection type: Direct

Reactive power: No

Approved according to PTB: No

S0 impulse interface: None

Tariff switch: No

Min. depth of built-in installation box: 400,00 mm

Packaging



8007352487925

Qtà 1 NR

Dim 11x10x1.7 [cm]

Weight 37.7 [g]



8007352493230

Qtà 10 NR

Dim 19x14.3x9.5 [cm]

Weight 451.9 [g]

You may also be interested in



01455 - Loads control
module 3IN current
sensor



01450 - Energy meter 3IN
toroidal sensor

Legal

Vimar reserves the right to change at any time and without notice the characteristics of the products reported. Installation should be carried out by qualified staff in compliance with the current regulations regarding the installation of electrical equipment in the country where the products are installed. For the terms of use of the information on the product info sheet see [Conditions of Use](#).