



Shared components: 3-analog inputs domotic interface

01467

Smart systems&products / By-me Plus / Shared components / DIN devices

3-analog inputs domotic interface

Device with 3 analogue signal inputs, 1 input 0-10 V or 4-20 mA, 1 input for linear or flush mounting NTC temperature sensor, 1 input for brightness sensor 01530, for By-me home automation, installation on DIN rail (60715 TH35), occupies 2 modules size 17.5 mm



Product Status

3 - Active

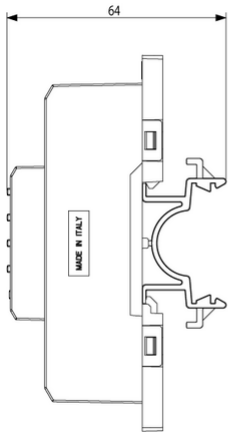
Minimum order quantity

1 NR

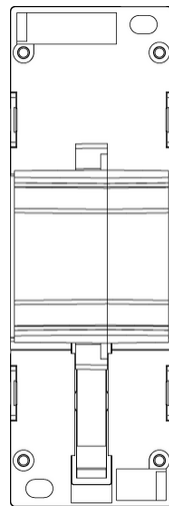
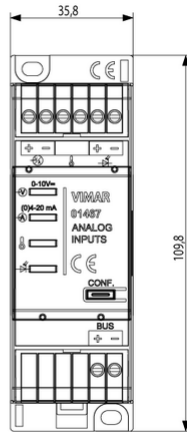
Sheets, Manuals, Documentation

- [Multilanguage instructions sheet \(795 kb\)](#)
- [By-me automation-fw Compatibility \(206 kb\)](#)

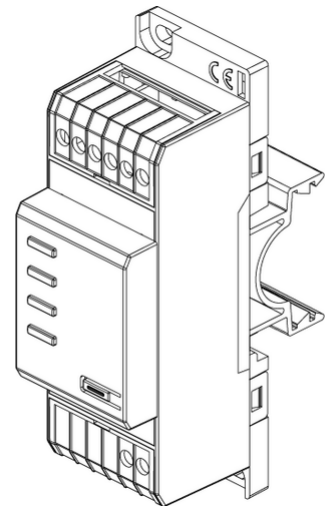
Drawings



Space view



Backside view



3D View

Certifications

- 00. CE Marking - EU
- 19. NOM - Mexico
- 37. Marking - Morocco
- 46. UK PSTI compliance ([download](#))
- 96. Electrotechnical expert ([download](#))
- 99. WEEE Directive ([download](#))

Technical data

Class group: Installation bus systems

Class: Interface for bus system

Bus system KNX: No

Bus system KNX-RF (Radio Frequency): No

Bus system radio frequency: No

Bus system LON: No

Bus system Powernet: No

Other bus systems: Other

Radio frequency bidirectional: No

Model: Other

Mounting method: Other

Width in number of modular spacings: 2

Material: Plastic

Material quality: Thermoplastic

Surface protection: Other

Surface finishing: Matt

Colour: Other

RAL-number (similar): 7035

Transparent: No

Max. data transmission rate: 9600

With bus connection: Yes

With label area: Yes

With LED indication: Yes

Degree of protection (IP): IP20

Packaging



8007352512399

Qtà 1 NR

Dim 14.2x6.7x5.9
[cm]

Weight 114.8 [g]

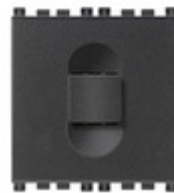
You may also be interested in



20433 - Moisture meter
grey



14433 - Moisture meter
white



19433 - Moisture meter
grey



01466.1 - 4-analog
outputs domotic actuator

Legal

Vimar reserves the right to change at any time and without notice the characteristics of the products reported. Installation should be carried out by qualified staff in compliance with the current regulations regarding the installation of electrical equipment in the country where the products are installed. For the terms of use of the information on the product info sheet see [Conditions of Use](#).