



Shared components: Dimmer 230V 2 outputs 300W/VA KNX

01526

Smart systems&products / KNX / Shared components / DIN devices

Dimmer 230V 2 outputs 300W/VA KNX

Dimmer 230 V~ 50-60 Hz for 2x300 W incandescent lamps, 2x300 VA ferromagnetic transformers, 2x300 VA electronic transformers, KNX standard, installation on DIN rail (60715 TH35), occupies 4 17,5 mm modules



Product Status

2 - Will be discontinued

Minimum order quantity

1 NR

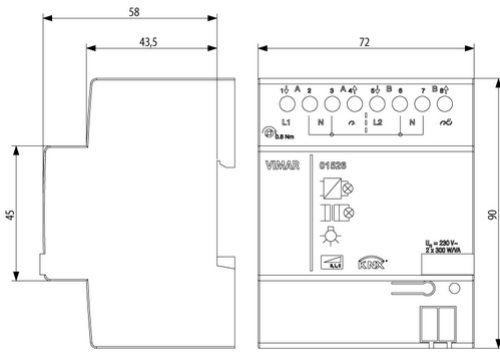
Sheets, Manuals, Documentation

- [Multilanguage instructions sheet \(630 kb\)](#)
- [Manuale installatore \(603 kb\)](#)

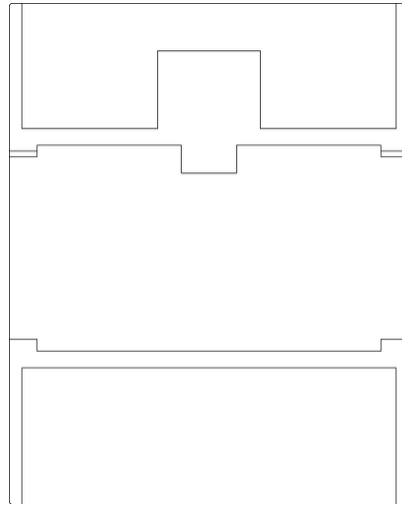
Product Software

- [DB_ComponentiAutomazione_KNX_01.16_20210920.zip](#)
- [DB_ComponentiAutomazione_KNX_01.19_20230331.zip](#)
- [DB_ComponentiAutomazione_KNX_01.20_20240917.zip](#)
- [DB_ComponentiAutomazione_KNX_01.21_20250224.zip](#)

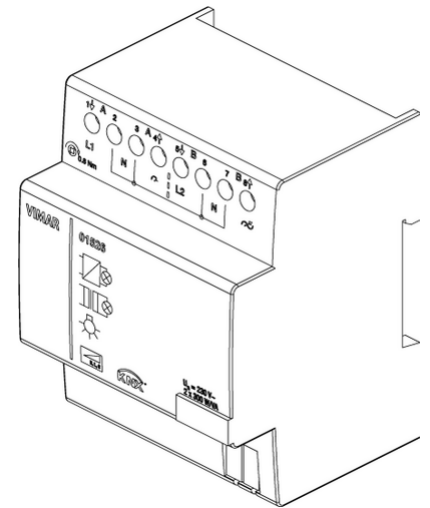
Drawings



Space view



Backside view



3D View

Certifications

- 00. CE Marking - EU
- 27. KNX
- 37. Marking - Morocco
- 96. Electrotechnical expert ([download](#))
- 99. WEEE Directive ([download](#))

Technical data

Class group: Installation bus systems

Class: Light control unit for bus system

Bus system KNX: Yes

Bus system KNX-RF (Radio Frequency): No

Bus system radio frequency: No

Bus system LON: No

Bus system Powernet: No

Other bus systems: None

Radio frequency bidirectional: No

Mounting method: Other

Width in number of modular spacings: 4

With bus connection: Yes

Local operation/hand operation: No

With LED indication: No

Max. switching current (resistive load): 2 A

Max. switching power: 300 W

Number of outputs: 2

Degree of protection (IP): IP20

Packaging



8007352385788

Qtà 1 NR

Dim 9.3x7.7x6.9 [cm]

Weight 243.2 [g]

Alternative products



[01538 - Dimmer KNX 2
OUT200W LED 120-240V](#)

Legal

Vimar reserves the right to change at any time and without notice the characteristics of the products reported. Installation should be carried out by qualified staff in compliance with the current regulations regarding the installation of electrical equipment in the country where the products are installed. For the terms of use of the information on the product info sheet see [Conditions of Use](#).