



Shared components: 4-button KNX control+shutter-laths 2M

01582

Smart systems&products / KNX / Shared components / Devices

4-button KNX control+shutter-laths 2M

4-button home automation device and actuator for 1 rolling shutter and laths orientation with change-over relay output for $\cos\phi$ 0,6 2 A 120-240 V~ 50/60 Hz motor, KNX standard, RGB LED location in darkness with brightness control, to be completed with interchangeable 1- or 2-module Eikon, Arké or Plana half-buttons - 2 modules



Product Status

3 - Active

Minimum order quantity

1 NR

Sheets, Manuals, Documentation

- [Full Multilanguage instructions sheet \(832 kb\)](#)
- [Light multilanguage instructions sheet \(686 kb\)](#)
- [Manuale installatore \(2893 kb\)](#)
- [Installer manual \(1926 kb\)](#)

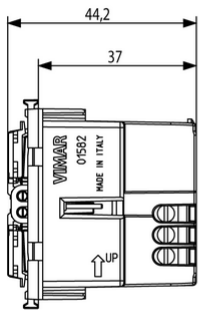
Product Software

- [DB_ComandoSupervisione_KNX_REL-01.26_20260331.zip](#)
- [DB_ComandoSupervisione_KNX_REL-01.27_20260430.zip](#)
- [DB_ComandoSupervisione_KNX_REL-01.28_20260525.zip](#)

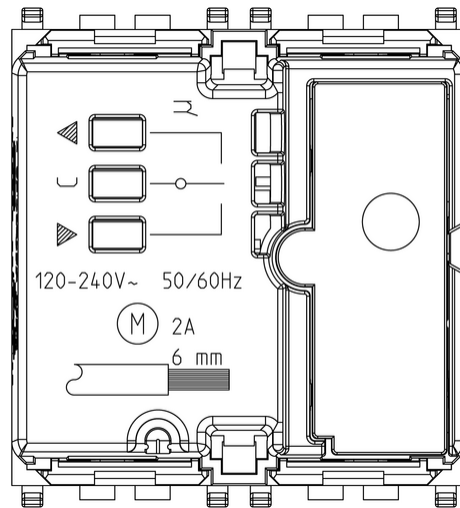
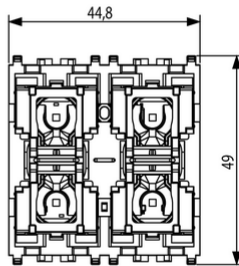
Gallery



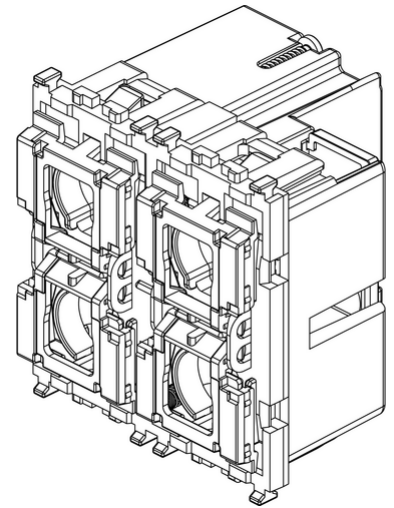
Drawings



Space view



Backside view



3D View

Certifications

- 00. CE Marking - EU
- 27. KNX ([download](#))
- 37. Marking - Morocco
- 46. UK PSTI compliance ([download](#))
- 99. WEEE Directive ([download](#))

Technical data

Class group: Installation bus systems

Class: Multi operating device for bus system

Bus system KNX-RF (Radio Frequency): No

Bus system radio frequency: No

Bus system LON: No

Bus system Powernet: No

Radio frequency bidirectional: No

Width in number of modular spacings: 2

Material: Plastic

Material quality: Thermoplastic

Surface protection: Untreated

Surface finishing: Matt

Colour: Other

RAL-number (similar): 7024

Transparent: No

With bus connection: Yes

Packaging



8 007352 593565

8007352593565

Qtà 1 NR

Dim 6x5.4x5.2 [cm]

Weight 67 [g]



8 007352 633209

8007352633209

Qtà 60 NR

Dim 37.5x30x13.5 [cm]

Weight 4,508.4 [g]

You may also be interested in



01580 - 4-button KNX control 2M



01588 - 6-button KNX Secure control 3M



01581 - 4-button KNX control+actuator 2M



01583 - 4-button KNX Secure control 2M



01585 - 6-button KNX control 3M



01586 - 6-button KNX control+actuator 3M



01587 - 6-button KNX control+shutter-laths 3M

Legal

Vimar reserves the right to change at any time and without notice the characteristics of the products reported. Installation should be carried out by qualified staff in compliance with the current regulations regarding the installation of electrical equipment in the country where the products are installed. For the terms of use of the information on the product info sheet see [Conditions of Use](#).