



## Shared components: 6-button KNX control+actuator 3M

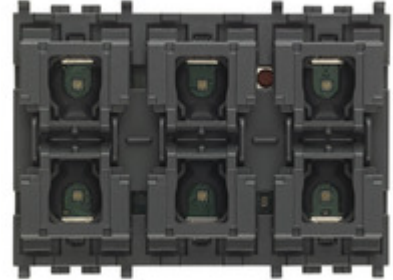
---

### 01586

Smart systems&products / KNX / Shared components / Devices

### 6-button KNX control+actuator 3M

6-button home automation device and NO 16 A 120-240 V~ 50/60 Hz relay output actuator, KNX standard, RGB LED location in darkness with brightness control, to be completed with interchangeable 1- or 2-module Eikon, Arké or Plana half-buttons - 2 modules



### Product Status

3 - Active

### Minimum order quantity

1 NR

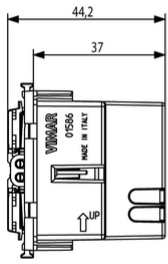
## Sheets, Manuals, Documentation

- [Full Multilanguage instructions sheet \(1245 kb\)](#)
- [Light multilanguage instructions sheet \(796 kb\)](#)
- [Manuale installatore \(2893 kb\)](#)
- [Installer manual \(1926 kb\)](#)

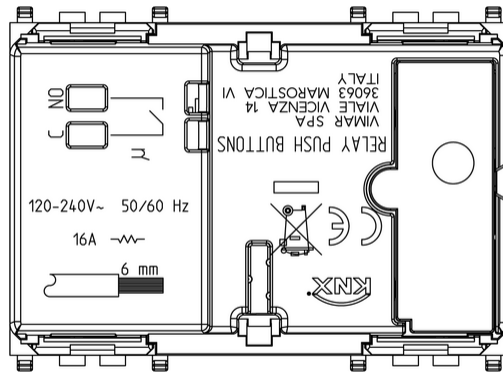
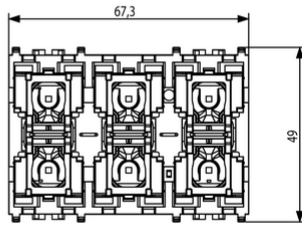
## Product Software

- [DB\\_ComandoSupervisione\\_KNX\\_REL-01.24\\_20251215.zip](#)
- [DB\\_ComandoSupervisione\\_KNX\\_REL-01.25\\_20260228.zip](#)

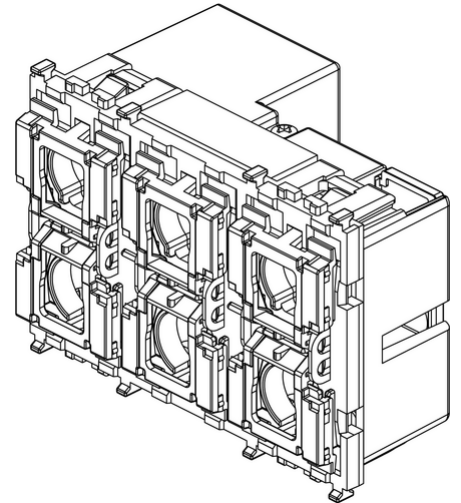
## Drawings



Space view



Backside view



3D View

## Certifications

- 00. CE Marking - EU
- 27. KNX ([download](#))
- 37. Marking - Morocco
- 46. UK PSTI compliance ([download](#))
- 99. WEEE Directive ([download](#))

## Technical data

**Class group:** Installation bus systems

**Class:** Multi operating device for bus system

**Bus system KNX-RF (Radio Frequency):** No

**Bus system radio frequency:** No

**Bus system LON:** No

**Bus system Powernet:** No

**Radio frequency bidirectional:** No

**Width in number of modular spacings:** 3

**Material:** Plastic

**Material quality:** Thermoplastic

**Surface protection:** Untreated

**Surface finishing:** Matt

**Colour:** Other

**RAL-number (similar):** 7024

**Transparent:** No

**With bus connection:** Yes

## Packaging



8 007352 593602

8007352593602

**Qtà** 1 NR

**Dim** 5.7x5.3x7.7 [cm]

**Weight** 78.6 [g]



8 007352 633230

8007352633230

**Qtà** 70 NR

**Dim** 39.5x30x17 [cm]

**Weight** 6,288.8 [g]

## You may also be interested in



01580 - 4-button KNX  
control 2M



01588 - 6-button KNX  
Secure control 3M



01581 - 4-button KNX  
control+actuator 2M



01582 - 4-button KNX  
control+shutter-laths 2M



01583 - 4-button KNX  
Secure control 2M



01585 - 6-button KNX  
control 3M



01587 - 6-button KNX  
control+shutter-laths 3M

## Legal

Vimar reserves the right to change at any time and without notice the characteristics of the products reported. Installation should be carried out by qualified staff in compliance with the current regulations regarding the installation of electrical equipment in the country where the products are installed. For the terms of use of the information on the product info sheet see [Conditions of Use](#).