



Shared components: Supply unit 29V 1280mA MARINE

01989

Smart systems&products / By-me Plus / Shared components / DIN devices

Supply unit 29V 1280mA MARINE

Supply unit with 29 Vdc 1280 mA output, supply voltage 120-230 V~ 50/60 Hz, with decoupling coil, for DIN (60715 TH35) rail installation, occupies 8 17,5 mm modules. For MARINE sector



Product Status

3 - Active

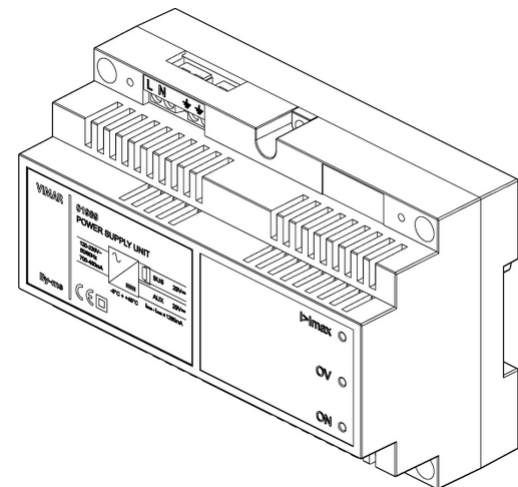
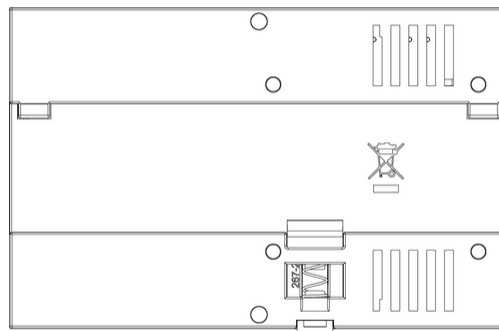
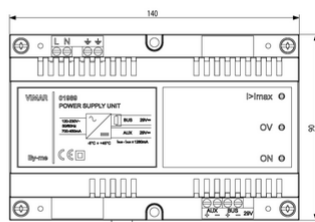
Minimum order quantity

1 NR

Sheets, Manuals, Documentation

- [FI - Foglio istruzioni ZIS_49400590B0 \(237 kb\)](#)

Drawings



Space view

Backside view

3D View

Certifications

- 00. CE Marking - EU
- 37. Marking - Morocco
- 96. Electrotechnical expert ([download](#))
- 99. WEEE Directive ([download](#))

Technical data

Class group: Installation bus systems

Class: Power supply for bus system

Bus system KNX: Yes

Bus system KNX-RF (Radio Frequency): No

Bus system radio frequency: Yes

Bus system LON: No

Bus system Powernet: No

Other bus systems: Other

Mounting method: DRA (DIN-rail adaptor)

Width in number of modular spacings: 8

Width: 140,00 mm

Height: 90,00 mm

Depth: 63,80 mm

With LED indication: No

Bus voltage stockable: No

Number of lines to feed: 2

Max. output current: 1.280,00 mA

Packaging



8007352506213

Qtà 1 NR
Dim 15.8x12.4x9.6
[cm]

Weight 526 [g]



8007352573208

Qtà 30 NR
Dim 59.5x26.5x41.5
[cm]

Weight 16,520 [g]

You may also be interested in



[01411 - By-me home automation Gateway](#)



[01970 - Supply unit from 12-24V to 29V](#)

Legal

Vimar reserves the right to change at any time and without notice the characteristics of the products reported. Installation should be carried out by qualified staff in compliance with the current regulations regarding the installation of electrical equipment in the country where the products are installed. For the terms of use of the information on the product info sheet see [Conditions of Use](#).