



EIKON: LED lamp 120-230V Eikon Evo 7M

02671

Wiring devices / Traditional wiring devices / EIKON / Devices

LED lamp 120-230V Eikon Evo 7M

Lighting device with high-efficiency LED, supply voltage 120-230 V~ 50-60 Hz, built-in mounting frame for 6/7-module flush mounting boxes. To complete with Eikon Evo cover plate



Product Status

2 - Will be discontinued

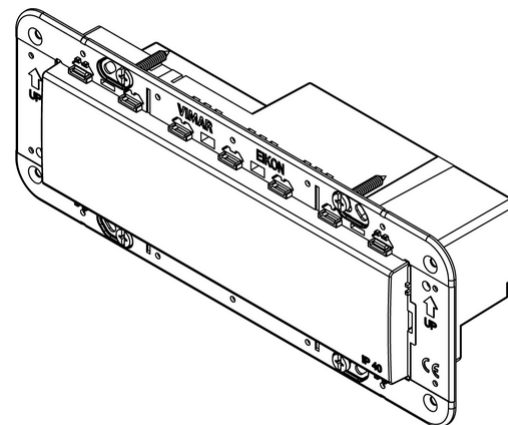
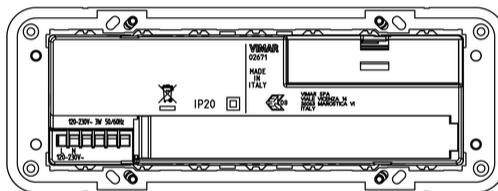
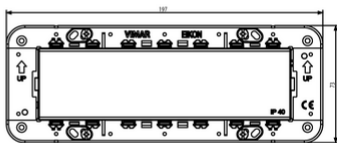
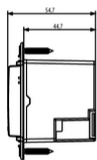
Minimum order quantity

1 NR

Sheets, Manuals, Documentation

- [Multilanguage instructions sheet \(713 kb\)](#)

Drawings



Space view

Backside view

3D View

Certifications

- **00. CE Marking - EU**
- **37. Marking - Morocco**
- **96. Electrotechnical expert ([download](#))**
- **99. WEEE Directive ([download](#))**

Technical data

Class group: Domestic switching devices

Class: Information light signal for domestic switching devices

Number of modules (module system): 7

With light source: Yes

Lamp type: LED not exchangeable

With flashlight: No

Mounting method: Flush-mounted

Type of fastening: Screw mounting

Material: Plastic

Material quality: Thermoplastic

Surface protection: Untreated

Surface finishing: Matt

Colour: White

RAL-number (similar): 9016

Transparent: No

Colour light source: White

Suitable for degree of protection (IP): IP40

Nominal voltage: 230 V

Max. lamp power: 3 W

Device width: 197,00 mm

Device height: 73,00 mm

Device depth: 54,70 mm

Packaging



8007352424142

Qtà 1 NR

Dim 21.4x6.6x9.3
[cm]

Weight 253.2 [g]

Legal

Vimar reserves the right to change at any time and without notice the characteristics of the products reported. Installation should be carried out by qualified staff in compliance with the current regulations regarding the installation of electrical equipment in the country where the products are installed. For the terms of use of the information on the product info sheet see [Conditions of Use](#).