



Shared components: IoT connected ceiling radar sensor

02692

Wiring devices / View Wireless wiring devices / Shared components / Non-modular components

IoT connected ceiling radar sensor

UWB radar sensor, IoT technology on Bluetooth 5.0 standard for the creation of VIEW Wireless mesh system, 1 solid state output for extra low voltage controls (SELV and non SELV), 1 input for external push button for output activation or to recall a scenario, 100-240 V 50/60 Hz power supply, false ceiling installation



Product Status

3 - Active

Minimum order quantity

1 NR

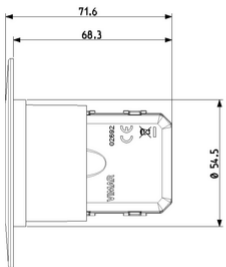
Sheets, Manuals, Documentation

- تاداشر إلالا ةقرو Full (1568 kb)
- Feuille d'instructions Full (1454 kb)
- Hoja de instrucciones Full (1453 kb)
- Full instructions sheet (1450 kb)
- Φυλλάδιο οδηγιών Full (1530 kb)
- Anweisungsblatt Full (1454 kb)
- Foglio istruzioni Full (1456 kb)
- Light multilanguage instructions sheet (1515 kb)
- Manuale app View Wireless (19692 kb)
- Manual View Wireless app (42576 kb)
- Manuel appli View Wireless (43518 kb)
- Manual app View Wireless (43516 kb)
- Εγχειρίδιο τεχνικού εγκατάστασης (43799 kb)
- Installationsanleitung View Wireless (43585 kb)

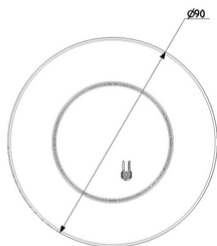
Gallery



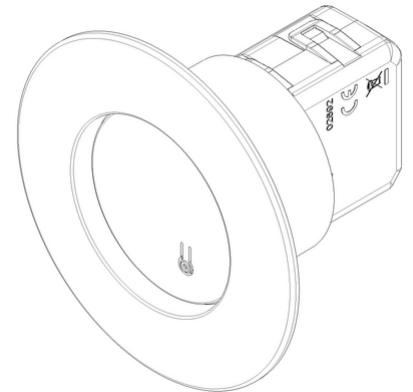
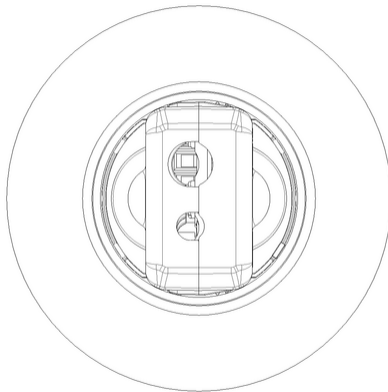
Drawings



Space view



Backside view



3D View

Certifications

- **00. CE Marking - EU**
- **01. IMQ - Italy ([download](#))**
- **37. Marking - Morocco**
- **40. Bluetooth technology**
- **46. UK PSTI compliance ([download](#))**
- **96. Electrotechnical expert ([download](#))**
- **99. WEEE Directive ([download](#))**

Technical data

Class group: Domestic switching devices

Class: Movement sensor/presence detector
complete

Model: Movement sensor

Constant light control: No

HVAC-control: No

Forced switch on: Yes

Forced switch off: No

Animal zone: Yes

Creep-under protection: No

Networkable: Yes

Scan angle: 90

Staircase light controller: No

Bridging switch: No

Max. presence range: 28 m²

Max. reach frontally: 4 m

Diameter reach on floor: 6,00 m

Suitable for wireless transmission: Yes

Remote operation: Yes

With remote control: No

Response value sensitivity adjustable: Yes

With signal unit: Yes

Teach-function for response value luminosity:
No

Dim function with dimmer basic element: No

Mounting method: Other

Suitable for ceiling mounting: Yes

Connection type: Screwed terminal

Material: Plastic

Material quality: Thermoplastic

Halogen free: Yes

Surface protection: Untreated

Surface finishing: Matt

Anti-bacterial treatment: No

Colour: Other

RAL-number (similar): 9003

Transparent: No

Degree of protection (IP): IP40

Voltage type: AC

Frequency: 50 - 60 HZ

Min. switch-on time: 70 s

Switch-off delay: 1.080 s

Max. switching power: 960,00 W

Number of switching zones: 1

Min. starting current: 0 A

Substation input: No

With alarm function: Yes

Width: 90,00 mm

Height: 90,00 mm

Depth: 71,60 mm

Diameter: 90,00 mm

Built-in depth: 68,30 mm

Built-in length: 54,50 mm

Built-in diameter: 54,50 mm

Compatible with Apple HomeKit: Yes

Compatible with Google Assistant: Yes

Compatible with Amazon Alexa: Yes

Packaging



8 007352 709492

8007352709492

Qtà 1 NR

Dim 11x8x7.7 [cm]

Weight 111 [g]



8 007352 709508

8007352709508

Qtà 20 NR

Dim 43.5x33x12 [cm]

Weight 2,714 [g]

You may also be interested in



14597 - IoT connected gateway 2M white



19597 - IoT connected gateway 2M grey



20597 - IoT connected gateway 2M grey



30807.G - IoT connected Gateway 2M black



02692.S.1 - Radar round ceiling adapter

Legal

Vimar reserves the right to change at any time and without notice the characteristics of the products reported. Installation should be carried out by qualified staff in compliance with the current regulations regarding the installation of electrical equipment in the country where the products are installed. For the terms of use of the information on the product info sheet see [Conditions of Use](#).