



Shared components: Dial thermostat 100-240V 2M grey

02970

Wiring devices / Traditional wiring devices / Shared components / Devices

Dial thermostat 100-240V 2M grey

Dial thermostat with relay output 5(2) A 240 V~, heating and air conditioning in ON/OFF mode, class I temperature control device (contribution 1%), white LED backlighting with brightness control, 100-240 V 50/60 Hz power supply, grey - 2 modules. To be completed with Eikon, Arké and Plana cover plates, for Idea with dedicated mounting frame 16723

- Simple programming
- Suitable for all heating or cooling systems
- Maximum simplicity thanks to the large knob
- Hotkeys are designed for quick interaction

Product Status

3 - Active

Minimum order quantity

1 NR



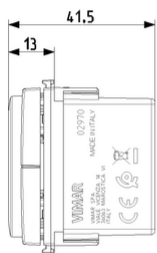
Sheets, Manuals, Documentation

- [Light Multilanguage instructions sheet \(625 kb\)](#)
- [Full Multilanguage instructions sheet \(1848 kb\)](#)

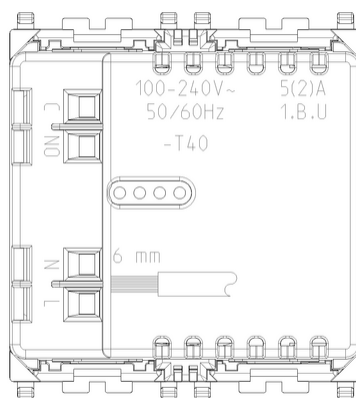
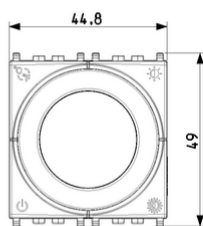
Gallery



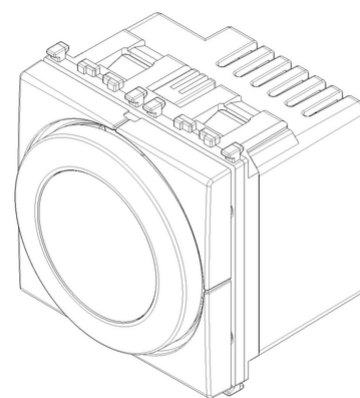
Drawings



Space view



Backside view



3D View

Certifications

- 00. CE Marking - EU
- 37. Marking - Morocco
- 99. WEEE Directive ([download](#))

Technical data

Class group: Stats, switches and controllers

Class: Room thermostat

Model: On/Off

Type of power supply: 230 V AC

Connection: 2-wire

With receiver: No

External sensor: Yes

Thermal feedback: Parallel

Control characteristic: Other

Suitable for heating: Yes

Number of heater outputs: 1

Number of cooler outputs: 1

Adjustable differential: Yes

Temperature readable: Yes

With sound indicator: No

Sensor/feeler type: Resistance sensor

Mounting method: Flush-mounted

Number of modules (module system): 2

With display: Yes

Operation: Turn

With tap water circuit: No

Max. contact voltage: 230 V

Max. contact load: 5 A

Degree of protection (IP): IP20

Explosion-proof: Yes

Colour: Grey

RAL-number: 7024

Height: 49,00 mm

Width: 44,80 mm

Depth: 41,50 mm

Diameter: 0,00 mm

Class of the temperature control: I

Packaging



8 007352 658943

8007352658943

Qtà 1 NR

Dim 6x5.3x5.2 [cm]

Weight 67.4 [g]



8 007352 746343

8007352746343

Qtà 60 NR

Dim 37.5x30x13.5 [cm]

Weight 4,384 [g]

Legal

Vimar reserves the right to change at any time and without notice the characteristics of the products reported. Installation should be carried out by qualified staff in compliance with the current regulations regarding the installation of electrical equipment in the country where the products are installed. For the terms of use of the information on the product info sheet see [Conditions of Use](#).