



## Shared components: Quid rolling shutters module

### 03997

Wiring devices / Traditional wiring devices / Shared components /  
Non-modular components

### Quid rolling shutters module

Quid roller shutter control unit module, 2 inputs for NO push button, 6 outputs for Quid roller shutter relay module 03996, 220-240 V 50/60 Hz power supply, installation in junction boxes or connector block boxes



### Product Status

3 - Active

### Minimum order quantity

10 NR

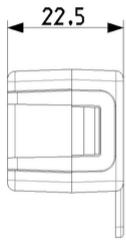
## Sheets, Manuals, Documentation

- [Light Multilanguage instructions sheet \(1184 kb\)](#)
- [Foglio istruzioni Full \(1011 kb\)](#)
- [Feuille d'instructions Full \(1012 kb\)](#)
- [Hoja de instrucciones Full \(1011 kb\)](#)
- [Full instructions sheet \(1010 kb\)](#)
- [Φυλλάδιο οδηγιών Full \(1024 kb\)](#)
- [Anweisungsblatt Full \(1012 kb\)](#)
- [تاداش رإلإة قرو Full \(1066 kb\)](#)

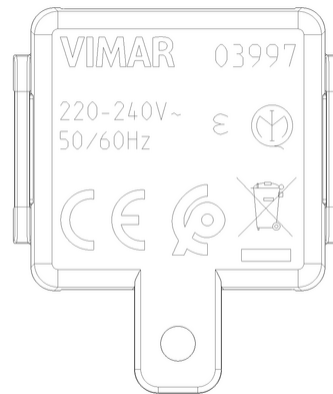
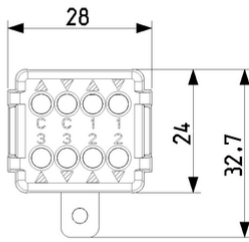
## Gallery



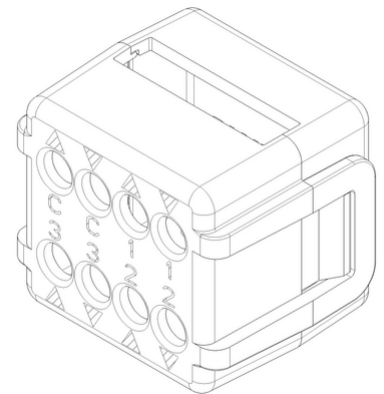
## Drawings



Space view



Backside view



3D View

## Certifications

- 00. CE Marking - EU
- 01. IMQ - Italy
- 37. Marking - Morocco
- 96. Electrotechnical expert ([download](#))
- 99. WEEE Directive ([download](#))

## Technical data

**Class group:** Relays

**Class:** Switching relay

**Complete with socket:** No

**With detachable clamps:** No

**With forced-guided contacts:** No

**Width:** 28,00 mm

**Height:** 32,70 mm

**Depth:** 22,50 mm

## Packaging



8007352623347

**Qtà** 1 NR  
**Dim** 5.1x4.3x5.3 [cm]  
**Weight** 32.8 [g]



8007352623354

**Qtà** 10 NR  
**Dim** 26.9x11.6x4.9 [cm]  
**Weight** 397.8 [g]



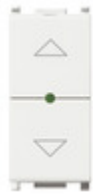
8007352623361

**Qtà** 200 NR  
**Dim** 47.5x27x29 [cm]  
**Weight** 8,445.1 [g]

## You may also be interested in



14196.SL - Quid - Rolling shutters 2-way switch Sil



14196 - Quid - Rolling shutters 2-way switch whi



19196.M - Quid -Rolling shutters 2-way switch Meta



19196.B - Quid - Rolling shutters 2-way switch whi



19196 - Quid -Rolling shutters 2-way switch grey



20196.B - Quid - Rolling shutters 2-way switch whi



20196.N - Quid -Rolling shutters 2-way switch Next



20196 - Quid -Rolling shutters 2-way switch grey



03996 - Quid - Rolling shutters relay module

## Legal

Vimar reserves the right to change at any time and without notice the characteristics of the products reported. Installation should be carried out by qualified staff in compliance with the current regulations regarding the installation of electrical equipment in the country where the products are installed. For the terms of use of the information on the product info sheet see [Conditions of Use](#).