



## NEVE UP: 2P+E 16A P17/11 outlet red

### 09203.R

Wiring devices / Traditional wiring devices / NEVE UP / Devices

### 2P+E 16A P17/11 outlet red

SICURY 2P+T 16 A 250 V~ socket outlet, Italian standard type P17/11, red

### Product Status

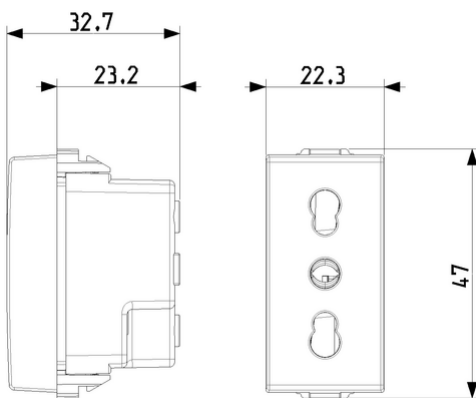
3 - Active

### Minimum order quantity

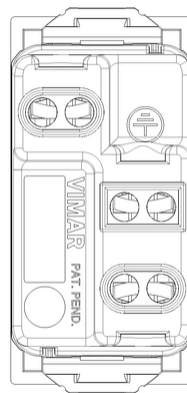
50 NR



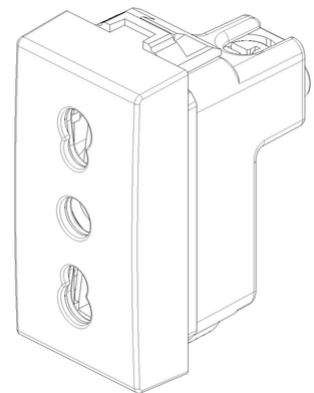
## Drawings



Space view



Backside view



3D View

## Certifications

- 00. CE Marking - EU
- 37. Marking - Morocco
- 99. WEEE Directive ([download](#))

## Technical data

**Class group:** Domestic switching devices

**Class:** Socket outlet

**Model:** Italian type Bipasso

**Number of modules (module system):** 1

**With hinged lid:** No

**Label space/information surface:** Yes

**Colour:** Red

**RAL-number (similar):** 3001

**Metallic colour:** No

**Transparent:** No

**Lockable:** No

**Eject-mechanism:** No

**Insulated mounting:** No

**Mounting method:** Flush-mounted

**Material:** Plastic

**Material quality:** Thermoplastic

**Surface protection:** Untreated

**Surface finishing:** Glossy

**Anti-bacterial treatment:** No

**With loop through function:** No

**With on/off switch:** No

**Rotated central insert:** No

**Nominal current:** 16 A

**Nominal voltage:** 250 V

**Frequency:** 50,00 - 60,00 HZ

**Device width:** 22,30 mm

**Device height:** 47,00 mm

**Device depth:** 32,70 mm

## Packaging



8 007352 664401

8007352664401

**Qtà** 1 NR

**Dim** 4.1x2.8x5.3 [cm]

**Weight** 28.07 [g]



8 007352 664418

8007352664418

**Qtà** 50 NR

**Dim** 21.4x11.6x14.2 [cm]

**Weight** 1,495.07 [g]



8 007352 664425

8007352664425

**Qtà** 500 NR

**Dim** 57.5x22.5x30 [cm]

**Weight** 15,387.33 [g]

## Legal

Vimar reserves the right to change at any time and without notice the characteristics of the products reported. Installation should be carried out by qualified staff in compliance with the current regulations regarding the installation of electrical equipment in the country where the products are installed. For the terms of use of the information on the product info sheet see [Conditions of Use](#).