



NEVE UP: 2P+E 16A USA+EU SICURY outlet white

09248

Wiring devices / Traditional wiring devices / NEVE UP / Devices

2P+E 16A USA+EU SICURY outlet white

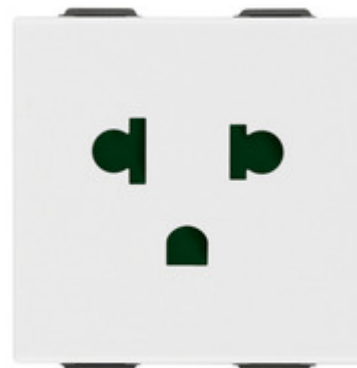
2P+E 16 A 250 V~ SICURY socket outlet, polarized Euro-American standard, white - 2 modules

Product Status

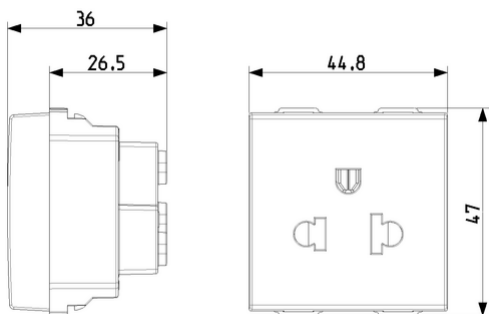
3 - Active

Minimum order quantity

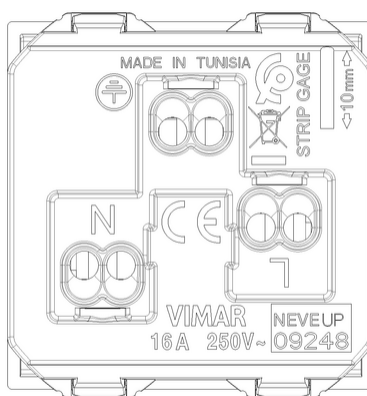
20 NR



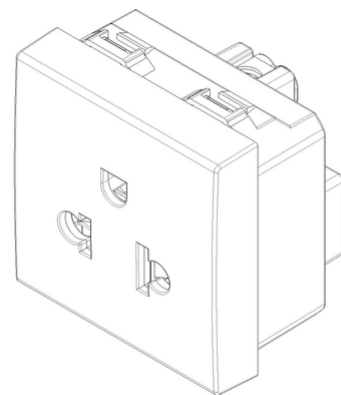
Drawings



Space view



Backside view



3D View

Certifications

- 00. CE Marking - EU
- 00. CE Marking - EU
- 37. Marking - Morocco
- 99. WEEE Directive ([download](#))

Technical data

Class group: Domestic switching devices

Class: Socket outlet

Model: Other

Number of modules (module system): 2

Number of socket outlets switchable: 0

Imprint/indication: None

Connection type: Screwed terminal

With hinged lid: No

With enhanced contact protection: Yes

Label space/information surface: Yes

Colour: White

RAL-number (similar): 9003

Metallic colour: No

Transparent: No

Lockable: No

Eject-mechanism: No

Insulated mounting: No

With function lighting: No

Overvoltage protection: No

Fault current protection: No

Mounting method: Flush-mounted

Material: Plastic

Material quality: Thermoplastic

Halogen free: Yes

Surface protection: Untreated

Surface finishing: Glossy

With loop through function: No

With on/off switch: No

Rotated central insert: No

Nominal current: 16 A

Nominal voltage: 250 V

Frequency: 50,00 - 60,00 HZ

Suitable for degree of protection (IP): IP20

Impact strength: Other

Device width: 44,80 mm

Device height: 47,00 mm

Device depth: 36,00 mm

Packaging



8007352465831

Qtà 1 NR

Dim 5.1x4.3x5.3 [cm]

Weight 43.6 [g]



8007352465848

Qtà 20 NR

Dim 26.9x11.6x9 [cm]

Weight 954.8 [g]



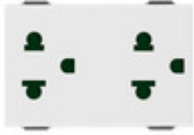
8007352666597

Qtà 240 NR

Dim 38x28.5x35.5 [cm]

Weight 12,200 [g]

You may also be interested in



09249 - 2 2P+E 16A
USA+EU SICURY outlets
white

Legal

Vimar reserves the right to change at any time and without notice the characteristics of the products reported. Installation should be carried out by qualified staff in compliance with the current regulations regarding the installation of electrical equipment in the country where the products are installed. For the terms of use of the information on the product info sheet see [Conditions of Use](#).