



NEVE UP: TV-RD-SAT single conn.outlet 2outs white

09302.01

Wiring devices / Traditional wiring devices / NEVE UP / Devices

TV-RD-SAT single conn.outlet 2outs white

TV-RD-SAT coaxial socket outlet, 5-2400 Mhz, single connection, demixed, 2 outputs with male connector (TV-RD) and female connector type F (SAT), 1 dB connection attenuation, white - 2 modules. Allows the passage of DC current and control signals (24 V 500 mA max)



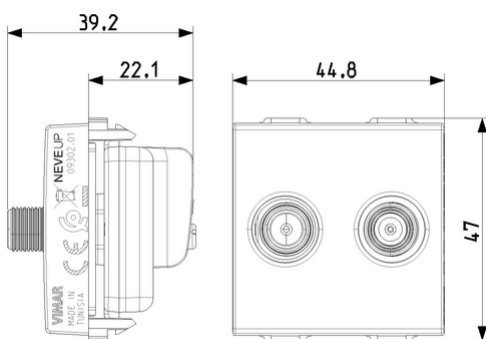
Product Status

3 - Active

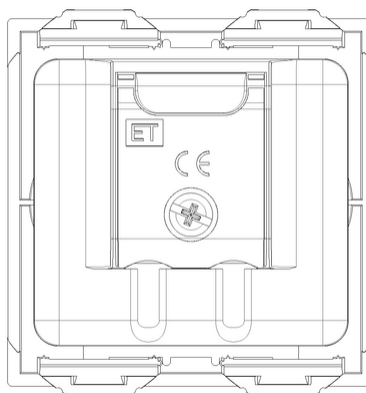
Minimum order quantity

10 NR

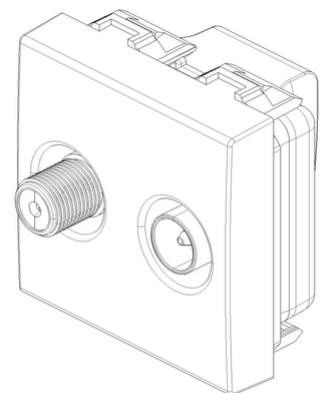
Drawings



Space view



Backside view



3D View

Certifications

- 00. CE Marking - EU
- 37. Marking - Morocco
- 99. WEEE Directive ([download](#))

Technical data

Class group: Antenna and satellite technique

Class: Antenna socket box

Number of outlets: 2

Type of fastening: Snap mounting (engagement)

Colour: White

RAL-number (similar): 9003

Surface finishing: Glossy

Material: Plastic

Device width: 44,80 mm

Device height: 47,00 mm

Device depth: 39,20 mm

Packaging



8007352403086

Qtà 1 NR

Dim 5.1x4.3x5.3 [cm]

Weight 78.12 [g]



8007352403093

Qtà 10 NR

Dim 26.9x11.6x4.9 [cm]

Weight 840.5 [g]



8007352668171

Qtà 200 NR

Dim 47.5x27x29 [cm]

Weight 17,330 [g]

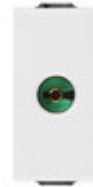
You may also be interested in



09300.01 - TV-RD-SAT
single conn.male outlet
white



09300.10 - TV-RD-SAT
through-line male outlet
white



09313 - TV IEC single
connection outlet white



09303 - TV-FM-SAT single
conn. 3 outs white



09318 - F-type TV outlet
white

Legal

Vimar reserves the right to change at any time and without notice the characteristics of the products reported. Installation should be carried out by qualified staff in compliance with the current regulations regarding the installation of electrical equipment in the country where the products are installed. For the terms of use of the information on the product info sheet see [Conditions of Use](#).