



NEVE UP: Vertical badge switch 2M white

09463

Wiring devices / Traditional wiring devices / NEVE UP / Devices

Vertical badge switch 2M white

Upright electronic badge switch, 4 A 250 V~ NO change-over relay output (NON SELV), 120-230 V~ 50-60 Hz power supply, pocket lighting to be visible in darkness, trimmer for regulating switch-off time after removing the card, white - 2 modules.

Supplied without ISO card (badge)



Product Status

3 - Active

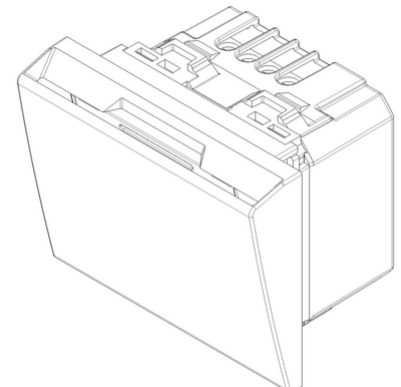
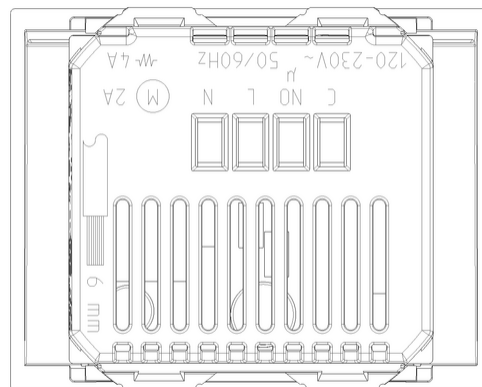
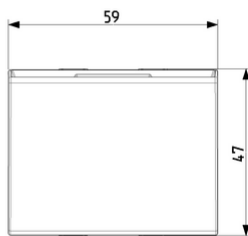
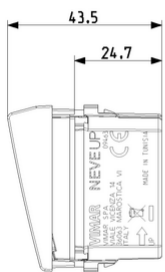
Minimum order quantity

1 NR

Sheets, Manuals, Documentation

- [Multilanguage instructions sheet \(1169 kb\)](#)

Drawings



Space view

Backside view

3D View

Certifications

- 00. CE Marking - EU
- 00. CE Marking - EU

- 37. Marking - Morocco
- 99. WEEE Directive ([download](#))

Technical data

Class group: Alarm installations, emergency call and signalling

Class: Access control system component

Standalone: Yes

Networkable: No

PC-binding: No

Type of interface: None

Type of reading technique: Data medium

Signalling: None

Mounting method: Flush-mounted

Operating voltage AC 50 Hz: 250,00 - 250,01 V

Operating voltage AC 60 Hz: 250,00 - 250,01 V

Colour: White

Material: Plastic

Width: 59,00 mm

Height: 47,00 mm

Depth: 43,50 mm

Packaging



8 007352 664616

8007352664616

Qtà 1 NR

Dim 5.2x5.7x7.6 [cm]

Weight 69.2 [g]



8 007352 664623

8007352664623

Qtà 5 NR

Dim 21.4x11.6x6 [cm]

Weight 400.8 [g]



8 007352 726055

8007352726055

Qtà 50 NR

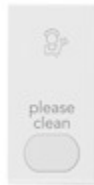
Dim 30.5x25.5x22.5 [cm]

Weight 4,008 [g]

You may also be interested in



09026.DND - Button 1M
+diffuser DND
symb.white



09026.PLS - Button 1M
+diffuser PLS symb.white



09052 - 1P NO 10A cord-
operated push white



09181 - IR relay-switch
230V white



09257 - 2P+E13ASICURY
multistandard outlet
white



09290 - Shaver supply
unit 230V white



09470 - Dial thermostat
100-240V 2M white



09465 - Vertical pocket
badge switch white

Legal

Vimar reserves the right to change at any time and without notice the characteristics of the products reported. Installation should be carried out by qualified staff in compliance with the current regulations regarding the installation of electrical equipment in the country where the products are installed. For the terms of use of the information on the product info sheet see [Condizioni di utilizzo](#).