



## NEVE UP: IoT connected dimmer mechanism 120V

**09595.0.120**

Wiring devices / View Wireless wiring devices / NEVE UP / Devices

**IoT connected dimmer mechanism 120V**

### Product Status

3 - Active

### Minimum order quantity

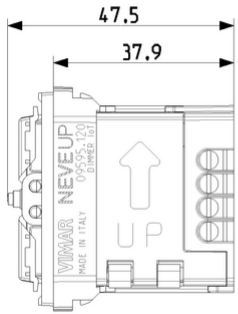
1 NR



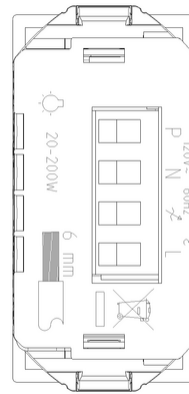
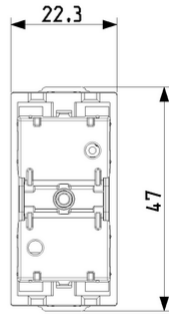
## Sheets, Manuals, Documentation

- [Light multilanguage instructions sheet \(1079 kb\)](#)
- [تاداشر إال ة قرو Full \(723 kb\)](#)
- [Foglio istruzioni Full \(659 kb\)](#)
- [Notice technique Full \(661 kb\)](#)
- [Ficha de instrucciones Full \(634 kb\)](#)
- [Full instructions sheet \(654 kb\)](#)
- [Φυλλάδιο οδηγιών Full \(809 kb\)](#)
- [Anweisungsblatt Full \(659 kb\)](#)
- [Manuale app View Wireless \(19693 kb\)](#)
- [Manuel appli View Wireless \(43543 kb\)](#)
- [Manual app View Wireless \(43542 kb\)](#)
- [Manual View Wireless app \(42589 kb\)](#)
- [Εγχειρίδιο τεχνικού εγκατάστασης \(43825 kb\)](#)
- [Installationsanleitung View Wireless \(43598 kb\)](#)

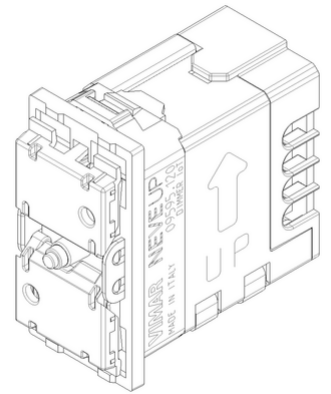
## Drawings



Space view



Backside view



3D View

## Certifications

- 00. CE Marking - EU
- 42. Zigbee certified
- 46. UK PSTI compliance ([download](#))
- 96. Electrotechnical expert ([download](#))
- 99. WEEE Directive ([download](#))

## Technical data

**Class group:** Domestic switching devices

**Class:** Installation switch

**Wiring system:** Other

**Operating method:** Rocker/button

**Assembly arrangement:** Modular device for domestic switching devices

**Number of modules (module system):** 1

**Push button switch:** Yes

**Number of rockers:** 1

**Type of fastening:** Engage (snap)

**With mounting plate:** No

**Material:** Plastic

**Material quality:** Thermoplastic

**Halogen free:** Yes

**Anti-bacterial treatment:** No

**Surface protection:** Untreated

**Surface finishing:** Glossy

**Colour:** Green

**RAL-number (similar):** 9003

**Label space/information surface:** No

**Lighting:** Yes

**Function lighting:** Illuminated (on)

**Type of lighting:** LED not exchangeable

**Suitable for degree of protection (IP):** IP40

**Nominal voltage:** 120 V

**Rated current:** 0,00 A

**Switching current for fluorescent lamps:** 0

**Monitoring contact:** No

**Connection type:** Screwed terminal

**Heating switch:** No

**Washing machine switch:** No

**Device width:** 22,30 mm

**Device height:** 47,00 mm

**Device depth:** 47,50 mm

**Built-in depth:** 37,90 mm

**Min. depth of built-in installation box:** 40,00 mm

**Compatible with Apple HomeKit:** Yes

**Compatible with Google Assistant:** Yes

**Compatible with Amazon Alexa:** Yes

**IFTTT support available:** Yes

## Packaging



8007352732308

**Qtà** 1 NR

**Dim** 5.2x3.5x5.3 [cm]

**Weight** 48.8 [g]



8007352732315

**Qtà** 60 NR

**Dim** 27x23x12.5 [cm]

**Weight** 3,116 [g]

## You may also be interested in



09597.CM - IoT  
connected gateway 2M  
carbon matt



09597 - IoT connected  
gateway 2M white

## Legal

Vimar reserves the right to change at any time and without notice the characteristics of the products reported. Installation should be carried out by qualified staff in compliance with the current regulations regarding the installation of electrical equipment in the country where the products are installed. For the terms of use of the information on the product info sheet see [Conditions of Use](#).