



NEVE UP: IoT connected gateway 2M carbon matt

09597.CM

[Wiring devices](#) / [View Wireless wiring devices](#) / [NEVE UP](#) / [Devices](#)

IoT connected gateway 2M carbon matt

Product Status

3 - Active

Minimum order quantity

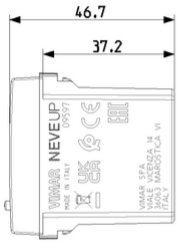
1 NR



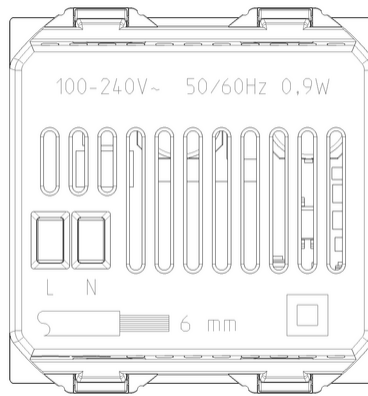
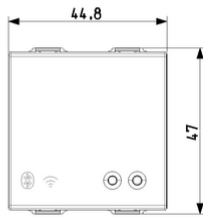
Sheets, Manuals, Documentation

- [Full multilanguage instructions sheet \(906 kb\)](#)
- [Light multilanguage instructions sheet \(555 kb\)](#)
- [Manuale app View Wireless \(19693 kb\)](#)
- [Manuel appli View Wireless \(43543 kb\)](#)
- [Manual app View Wireless \(43542 kb\)](#)
- [Manual View Wireless app \(42589 kb\)](#)
- [Εγχειρίδιο τεχνικού εγκατάστασης \(43825 kb\)](#)
- [Installationsanleitung View Wireless \(43598 kb\)](#)

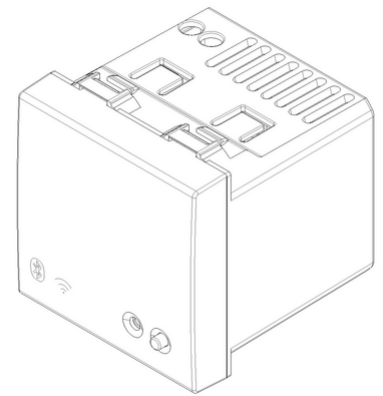
Drawings



Space view



Backside view



3D View

Certifications

- 00. CE Marking - EU
- 00. CE Marking - EU ([download](#))
- 37. Marking - Morocco
- 40. Bluetooth technology
- 46. UK PSTI compliance ([download](#))
- 96. Electrotechnical expert ([download](#))
- 99. WEEE Directive ([download](#))

Technical data

Class group: Installation bus systems

Class: System interface/media gateway for bus system

Bus system KNX: No

Bus system KNX-RF (Radio Frequency): No

Bus system radio frequency: Yes

Bus system LON: No

Bus system Powernet: No

Other bus systems: Other

Radio frequency bidirectional: Yes

Model: Bluetooth interface

Mounting method: Flush-mounted

Width in number of modular spacings: 0

Number of channels: 0

Max. number of devices per channel: 0

Demounting protection: No

With LED indication: Yes

Updateable: Yes

Operating voltage: 100,00 - 240,00 V

Voltage type: AC

Power consumption: 90,00 W

Protocol: Other

Provider dependent: No

Visualization: No

Web-Server: Yes

Radio interface: Yes

IR interface: No

Degree of protection (IP): IP40

Packaging



8 007352 732520

8007352732520

Qtà 1 NR

Dim 6x5.4x5.2 [cm]

Weight 53.4 [g]



8 007352 732537

8007352732537

Qtà 60 NR

Dim 37.5x30x13.5 [cm]

Weight 3,516 [g]

You may also be interested in



09597 - IoT connected gateway 2M white



02963 - Monophase IoT energy meter

Legal

Vimar reserves the right to change at any time and without notice the characteristics of the products reported. Installation should be carried out by qualified staff in compliance with the current regulations regarding the installation of electrical equipment in the country where the products are installed. For the terms of use of the information on the product info sheet see [Conditions of Use](#).