



## NEVE UP: IoT connected gateway 2M white

---

**09597**

[Wiring devices](#) / [View Wireless wiring devices](#) / [NEVE UP](#) / [Devices](#)

### IoT connected gateway 2M white

#### Product Status

3 - Active

#### Minimum order quantity

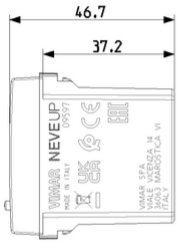
1 NR



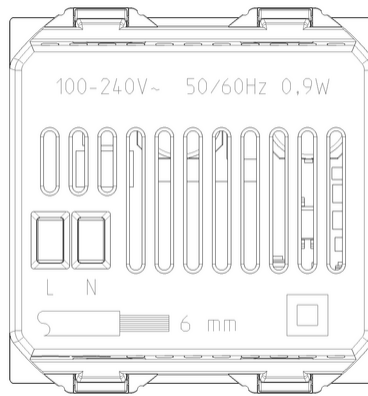
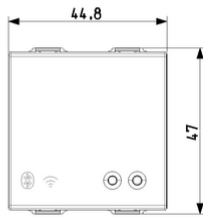
### Sheets, Manuals, Documentation

- [Full multilanguage instructions sheet \(906 kb\)](#)
- [Light multilanguage instructions sheet \(555 kb\)](#)
- [Manuale app View Wireless \(19693 kb\)](#)
- [Manuel appli View Wireless \(43543 kb\)](#)
- [Manual app View Wireless \(43542 kb\)](#)
- [Manual View Wireless app \(42589 kb\)](#)
- [Εγχειρίδιο τεχνικού εγκατάστασης \(43825 kb\)](#)
- [Installationsanleitung View Wireless \(43598 kb\)](#)

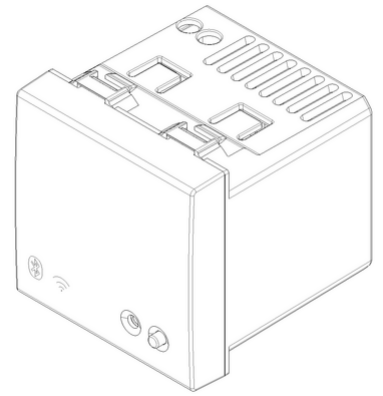
## Drawings



Space view



Backside view



3D View

## Certifications

- 00. CE Marking - EU
- 00. CE Marking - EU ([download](#))
- 37. Marking - Morocco
- 40. Bluetooth technology
- 46. UK PSTI compliance ([download](#))
- 96. Electrotechnical expert ([download](#))
- 99. WEEE Directive ([download](#))

## Technical data

**Class group:** Installation bus systems

**Class:** System interface/media gateway for bus system

**Bus system KNX:** No

**Bus system KNX-RF (Radio Frequency):** No

**Bus system radio frequency:** Yes

**Bus system LON:** No

**Bus system Powernet:** No

**Other bus systems:** Other

**Radio frequency bidirectional:** Yes

**Model:** Bluetooth interface

**Mounting method:** Flush-mounted

**Width in number of modular spacings:** 0

**Number of channels:** 0

**Max. number of devices per channel:** 0

**Demounting protection:** No

**With LED indication:** Yes

**Updateable:** Yes

**Operating voltage:** 100,00 - 240,00 V

**Voltage type:** AC

**Power consumption:** 90,00 W

**Protocol:** Other

**Provider dependent:** No

**Visualization:** No

**Web-Server:** Yes

**Radio interface:** Yes

**IR interface:** No

**Degree of protection (IP):** IP40

## Packaging



8007352732506

**Qtà** 1 NR

**Dim** 6x5.4x5.2 [cm]

**Weight** 53.8 [g]



8007352732513

**Qtà** 60 NR

**Dim** 37.5x30x13.5 [cm]

**Weight** 3,536 [g]

## You may also be interested in



09597.CM - IoT  
connected gateway 2M  
carbon matt



02963 - Monophase IoT  
energy meter

## Legal

Vimar reserves the right to change at any time and without notice the characteristics of the products reported. Installation should be carried out by qualified staff in compliance with the current regulations regarding the installation of electrical equipment in the country where the products are installed. For the terms of use of the information on the product info sheet see [Conditions of Use](#).