



## Connector block boxes: Surface-box 1-2M 43,5mm depth ivory

### 09971.A

System infrastructure / Enclosures and control units / Connector block boxes / Surface mounting

### Surface-box 1-2M 43,5mm depth ivory

Square surface mounting box, 43,5 mm depth, for 1- or 2-reduced-module Idea and 2-module Eikon and Plana with relevants mounting frames and cover plates, RAL9001 ivory. Idea series: suitable for Classica cover plate only



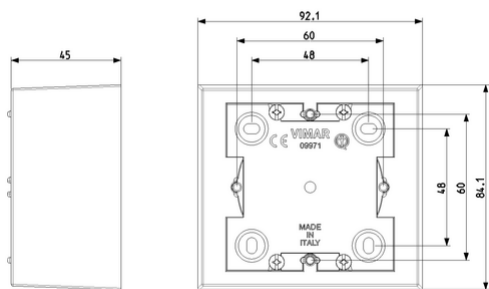
### Product Status

3 - Active

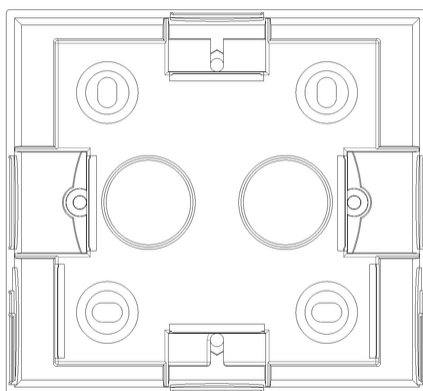
### Minimum order quantity

20 NR

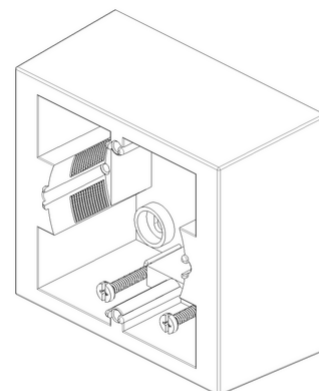
## Drawings



Space view



Backside view



3D View

## Certifications

- 00. CE Marking - EU
- 01. IMQ - Italy ([download](#))
- 37. Marking - Morocco
- 96. Electrotechnical expert ([download](#))

## Technical data

**Class group:** Electrical installation, isolation and connection material

**Class:** Box/housing for surface mounting on the wall/ceiling

**Model:** Mounting box

**Equipped with:** None

**Max. conductor cross section:** 0,00 mm<sup>2</sup>

**Shape:** Rectangular

**Mounting method:** Wall-/ceiling mounting

**Mounting in the soil:** No

**Mounting under water:** No

**For tube diameter:** 20/25 mm

**Number of inlets:** 2

**Length:** 84,10 mm

**Width:** 92,10 mm

**Depth:** 45,00 mm

**Diameter:** 0,00 mm

**Connectable:** No

**Material:** Plastic

**Surface protection:** Untreated

**Colour:** Other

**Transparent cover:** No

**Castable:** No

**Cover attachment:** Screwed

**Casting compound included:** No

**Sealable:** No

**Rated insulation voltage Ui:** 450 V

**Circuit integrity:** None

**With screening:** No

**Working temperature:** 0 - 60 °C

**Explosion-tested version:** No

**For Ex-zone gas:** None

**For Ex-zone dust:** None

## Packaging



8 007352 097186

8007352097186

**Qtà** 1 NR

**Dim** 9.2x8.4x4.5 [cm]

**Weight** 70.87 [g]



8 007352 097193

8007352097193

**Qtà** 20 NR

**Dim** 28.4x24.4x14.9 [cm]

**Weight** 1,618.73 [g]

## Legal

Vimar reserves the right to change at any time and without notice the characteristics of the products reported. Installation should be carried out by qualified staff in compliance with the current regulations regarding the installation of electrical equipment in the country where the products are installed. For the terms of use of the information on the product info sheet see [Conditions of Use](#).