



## PLANA: 1P 16AX reversing switch screwless Silve

### 14009.FX.SL

Wiring devices / Traditional wiring devices / PLANA / Devices

### 1P 16AX reversing switch screwless Silve

1P 10 AX 250 V~ reversing switch, screwless terminals, lightTable, replaceable button, Silver. Max 100 W for self-ballasted lamps (IEC 60669-1:2017)



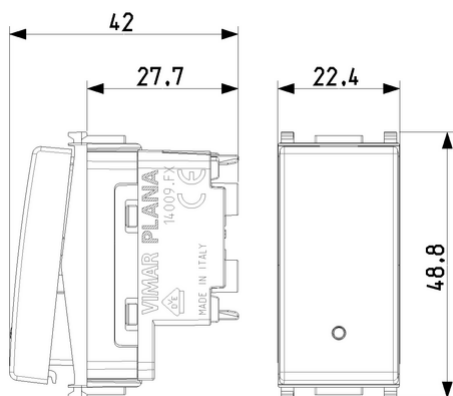
### Product Status

2 - Will be discontinued

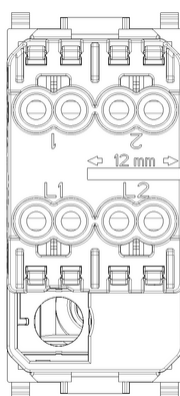
### Minimum order quantity

1 NR

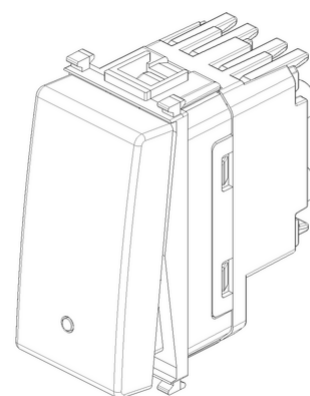
## Drawings



Space view



Backside view



3D View

## Certifications

- 00. CE Marking - EU
- 04. NF - France ([download](#))
- 09. VDE - Germany ([download](#))
- 37. Marking - Morocco
- 99. WEEE Directive ([download](#))

## Technical data

**Class group:** Domestic switching devices

**Class:** Installation switch

**Wiring system:** Intermediate switch

**Operating method:** Rocker/button

**Assembly arrangement:** Modular device for domestic switching devices

**Number of modules (module system):** 1

**Push button switch:** Yes

**Number of rockers:** 1

**Mounting method:** Flush-mounted

**Type of fastening:** Engage (snap)

**With mounting plate:** No

**Material:** Plastic

**Material quality:** Thermoplastic

**Halogen free:** Yes

**Surface protection:** Lacquered

**Surface finishing:** Glossy

**Colour:** Silver

**RAL-number (similar):** 9006

**Label space/information surface:** Yes

**Lighting:** Optional

**Function lighting:** Control and orientation

**Type of lighting:** LED exchangeable

**Suitable for degree of protection (IP):** IP40

**Nominal voltage:** 250 V

**Rated current:** 10,00 A

**Switching current for fluorescent lamps:** 10

**Monitoring contact:** No

**Connection type:** Push-in clamp

**Washing machine switch:** No

**Device width:** 22,30 mm

**Device height:** 49,00 mm

**Device depth:** 40,50 mm

**Built-in depth:** 26,10 mm

## Packaging



8 007352 629653

8007352629653

**Qtà** 1 NR

**Dim** 5.1x2.8x5.3 [cm]

**Weight** 30.5 [g]



8 007352 629660

8007352629660

**Qtà** 50 NR

**Dim** 27x15x12 [cm]

**Weight** 1,610.5 [g]

## Legal

Vimar reserves the right to change at any time and without notice the characteristics of the products reported. Installation should be carried out by qualified staff in compliance with the current regulations regarding the installation of electrical equipment in the country where the products are installed. For the terms of use of the information on the product info sheet see [Conditions of Use](#).