



PLANA: Button 3M lightable disc pilot white

14023.G

Wiring devices / Traditional wiring devices / PLANA / Buttons

Button 3M lightable disc pilot white

Interchangeable 3-module button, with lightable disc pilot lamp, white



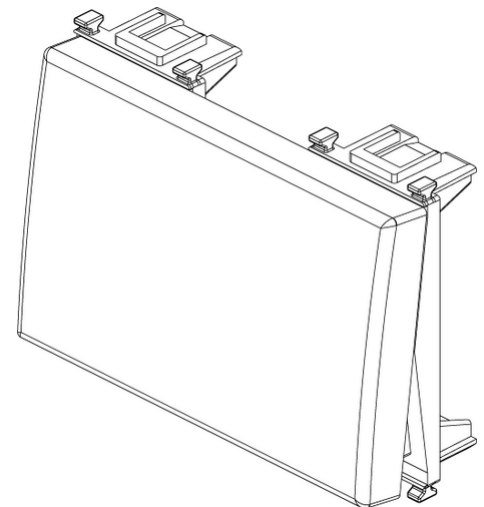
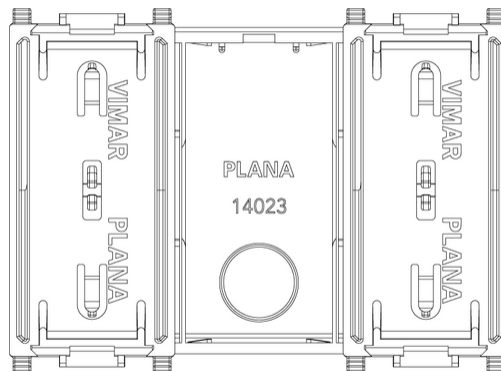
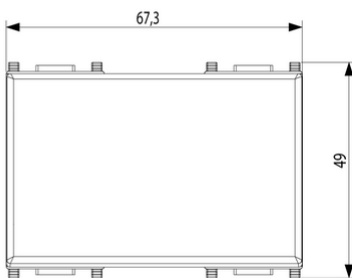
Product Status

2 - Will be discontinued

Minimum order quantity

10 NR

Drawings



Space view

Backside view

3D View

Certifications

- 00. CE Marking - EU
- 01. IMQ - Italy ([download](#))
- 96. Electrotechnical expert ([download](#))

Technical data

Class group: Domestic switching devices

Class: Control element/cover plate for domestic switching devices

Model: One-part rocker

Imprint/indication: None

Utilization: Switch/push button

Suitable for touch sensor connector for bus system: No

Type of fastening: Clamp mounting

Monitoring window/light outlet: Yes

Material: Plastic

Material quality: Thermoplastic

Halogen free: Yes

Surface protection: Untreated

Surface finishing: Glossy

Colour: White

RAL-number (similar): 9003

With label area: No

With exchangeable lens/symbol: No

Suitable for degree of protection (IP): IP40

Depth: 1.430,00 mm

Packaging



8007352115026

Qtà 1 NR
Dim 6.73x4.9x2.47 [cm]

Weight 17.33 [g]



8007352115033

Qtà 2 NR
Dim 5.3x3.9x7.6 [cm]

Weight 41.2 [g]



8007352115040

Qtà 10 NR
Dim 20.6x8.5x6 [cm]

Weight 247.07 [g]

Legal

Vimar reserves the right to change at any time and without notice the characteristics of the products reported. Installation should be carried out by qualified staff in compliance with the current regulations regarding the installation of electrical equipment in the country where the products are installed. For the terms of use of the information on the product info sheet see [Conditions of Use](#).