



## PLANA: Two indep.1P NO+NO 10A pushes white

---

### 14066

Wiring devices / Traditional wiring devices / PLANA / Devices

### Two indep.1P NO+NO 10A pushes white

Two independent push buttons, 1P NO + 1P NO 10 A 250 V~, white. They allow the simultaneous closing of the two circuits and are thus not suitable for reversing motors (roller blinds, gates, etc.)



### Product Status

3 - Active

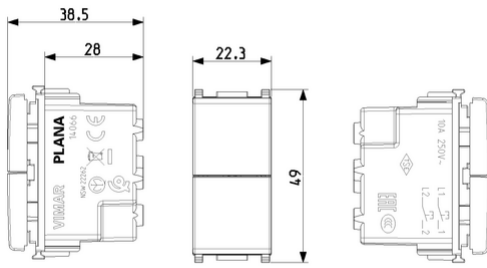
### Minimum order quantity

20 NR

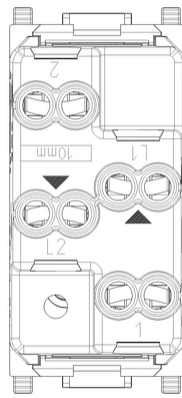
## Gallery



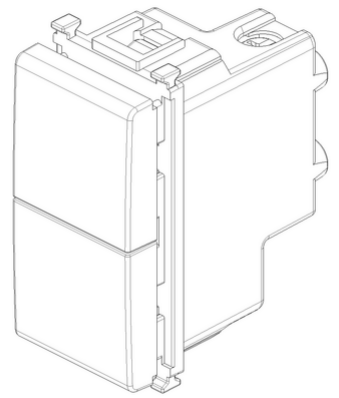
## Drawings



Space view



Backside view



3D View

## Certifications

- 00. CE Marking - EU
- 01. IMQ - Italy
- 14. TSE - Turkey
- 15. CCC - China ([download](#))
- 19. NOM - Mexico
- 20. IQC - Argentina
- 31. TISI - Thailand
- 35. RCM - Australia
- 37. Marking - Morocco
- 96. Electrotechnical expert ([download](#))
- 99. WEEE Directive ([download](#))

## Technical data

**Class group:** Domestic switching devices

**Class:** Push button

**Assembly arrangement:** Modular device for domestic switching devices

**Model:** Other

**Operating method:** Push button

**Number of rockers:** 2

**Number of modules (module system):** 100

**Number of poles:** 1

**Nominal voltage:** 250 V

**Rated current:** 10,00 A

**With lighting:** No

**Monitoring contact:** No

**Mounting method:** Built-in

**Type of fastening:** Engage (snap)

**Material:** Plastic

**Material quality:** Thermoplastic

**Halogen free:** Yes

**Surface protection:** Untreated

**Surface finishing:** Glossy

**Colour:** White

**RAL-number (similar):** 9003

**Transparent:** No

**Label space/information surface:** Yes

**Suitable for degree of protection (IP):** IP40

**Device width:** 22,30 mm

**Device height:** 49,00 mm

**Device depth:** 38,50 mm

## Packaging



8 007352 117334

8007352117334

**Qtà** 1 NR

**Dim** 4.1x2.8x5.3 [cm]

**Weight** 32.59 [g]



8 007352 117341

8007352117341

**Qtà** 20 NR

**Dim** 21.4x11.6x6 [cm]

**Weight** 706.6 [g]



8 007352 626027

8007352626027

**Qtà** 200 NR

**Dim** 30.5x25.5x22.5 [cm]

**Weight** 7,440 [g]

## Legal

Vimar reserves the right to change at any time and without notice the characteristics of the products reported. Installation should be carried out by qualified staff in compliance with the current regulations regarding the installation of electrical equipment in the country where the products are installed. For the terms of use of the information on the product info sheet see [Conditions of Use](#).