



## PLANA: 2P 16(3)A 1-way switch +key in OFF white

### 14083.S

Wiring devices / Traditional wiring devices / PLANA / Devices

### 2P 16(3)A 1-way switch +key in OFF white

Independent mounting 2P 16(3) A 250 V~ key-operated 1-way switch, with key removable in OFF position only, white. To be installed with the appropriate accessories from the Plana series. Protection degree: IP20, Degree of pollution: II, Overvoltage category: III, for conductors from 1.5 mm<sup>2</sup> to 4 mm<sup>2</sup>, complete circuit disconnection, Tracking index: PTI250, Glow wire 850°C



### Product Status

3 - Active

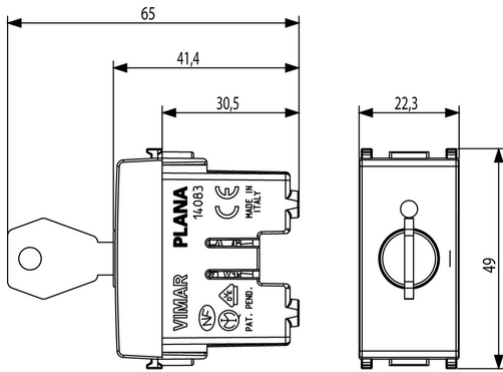
### Minimum order quantity

20 NR

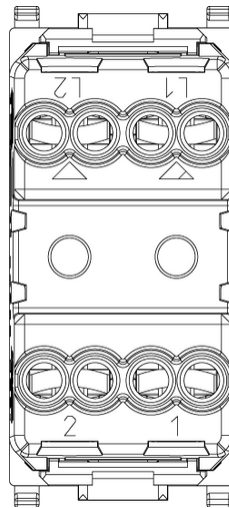
## Gallery



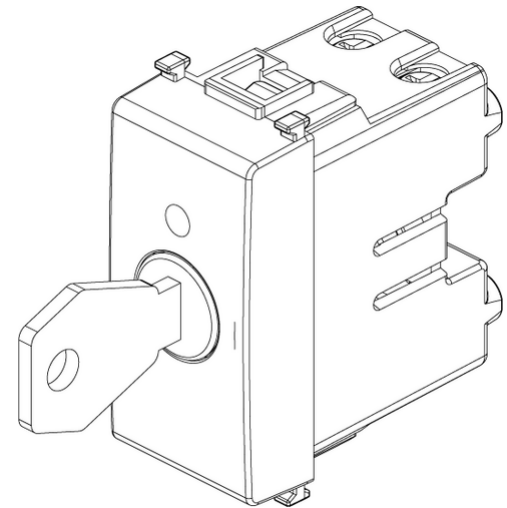
## Drawings



Space view



Backside view



3D View

## Certifications

- 00. CE Marking - EU
- 01. IMQ - Italy ([download](#))
- 14. TSE - Turkey
- 20. IQC - Argentina
- 31. TISI - Thailand
- 35. RCM - Australia
- 37. Marking - Morocco
- 96. Electrotechnical expert ([download](#))
- 99. WEEE Directive ([download](#))

## Technical data

**Class group:** Domestic switching devices

**Class:** Installation switch

**Wiring system:** Switch 2-pole

**Operating method:** Key

**Assembly arrangement:** Modular device for domestic switching devices

**Number of modules (module system):** 1

**Push button switch:** Yes

**Number of rockers:** 0

**Mounting method:** Flush-mounted

**Type of fastening:** Engage (snap)

**With mounting plate:** No

**Material:** Plastic

**Material quality:** Thermoplastic

**Halogen free:** Yes

**Surface protection:** Untreated

**Surface finishing:** Glossy

**Colour:** White

**RAL-number (similar):** 9003

**Label space/information surface:** Yes

**Lighting:** No

**Function lighting:** Other

**Type of lighting:** Other

**Suitable for degree of protection (IP):** IP40

**Nominal voltage:** 250 V

**Rated current:** 16,00 A

**Monitoring contact:** No

**Connection type:** Screwed terminal

**Washing machine switch:** Yes

**Device width:** 22,30 mm

**Device height:** 49,00 mm

**Device depth:** 41,40 mm

**Built-in depth:** 30,50 mm

## Packaging



8007352142770

**Qtà** 1 NR  
**Dim** 5.1x2.8x5.3 [cm]  
**Weight** 50.4 [g]



8007352142787

**Qtà** 20 NR  
**Dim** 27x11.6x6 [cm]  
**Weight** 1,080 [g]



8007352650381

**Qtà** 120 NR  
**Dim** 37.5x30x13.5 [cm]  
**Weight** 6,840 [g]

## Legal

Vimar reserves the right to change at any time and without notice the characteristics of the products reported. Installation should be carried out by qualified staff in compliance with the current regulations regarding the installation of electrical equipment in the country where the products are installed. For the terms of use of the information on the product info sheet see [Conditions of Use](#).