



PLANA: IR relay-switch 230V white

14181

Wiring devices / Traditional wiring devices / PLANA / Devices

IR relay-switch 230V white

Automatic lighting switch with IR motion sensor, adjustable dusk/dawn sensor threshold and time-delay cycle, NO 6 A 230 V~ relay output, supply voltage 230 V~ 50-60 Hz, white



Product Status

3 - Active

Minimum order quantity

5 NR

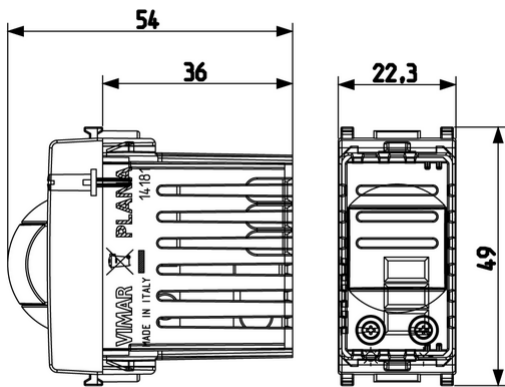
Sheets, Manuals, Documentation

- [Light Multilanguage instructions sheet \(947 kb\)](#)
- [Full Multilanguage instructions sheet \(1103 kb\)](#)

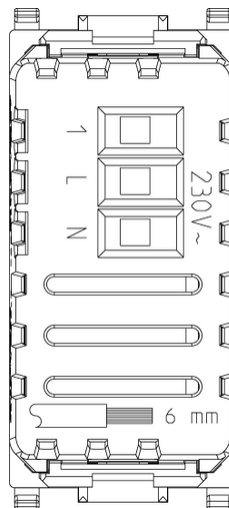
Gallery



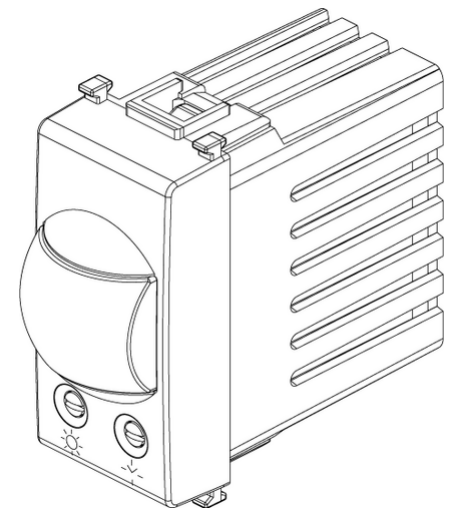
Drawings



Space view



Backside view



3D View

Certifications

- 00. CE Marking - EU
- 00. CE Marking - EU
- 01. IMQ - Italy ([download](#))
- 37. Marking - Morocco
- 96. Electrotechnical expert ([download](#))
- 99. WEEE Directive ([download](#))

Technical data

Class group: Domestic switching devices

Class: Electronic insert for domestic switching devices

Model: Other

Assembly arrangement: Modular device for domestic switching devices

Number of modules (module system): 1

Radio-controlled: No

Mounting method: Flush-mounted

Type of fastening: Engage (snap)

Material: Plastic

Material quality: Thermoplastic

Surface protection: Untreated

Surface finishing: Glossy

Colour: White

RAL-number (similar): 9003

Transparent: No

Packaging



8 007352 328280

8007352328280

Qtà 1 NR

Dim 5.1x4.3x5.3 [cm]

Weight 49 [g]



8 007352 328297

8007352328297

Qtà 5 NR

Dim 14.4x11.6x6 [cm]

Weight 291.6 [g]



8 007352 646247

8007352646247

Qtà 60 NR

Dim 36.5x33x13.5
[cm]

Weight 3,818.4 [g]



8 007352 588035

8007352588035

Qtà 2,160 NR

Dim 120x80x105 [cm]

Weight 149,812 [g]

Legal

Vimar reserves the right to change at any time and without notice the characteristics of the products reported. Installation should be carried out by qualified staff in compliance with the current regulations regarding the installation of electrical equipment in the country where the products are installed. For the terms of use of the information on the product info sheet see [Conditions of Use](#).