



PLANA: 2P+E 16A Chinese SICURY outlet white

14254

Wiring devices / Traditional wiring devices / PLANA / Devices

2P+E 16A Chinese SICURY outlet white

2P+E 16 A 250 V~ SICURY socket outlet, Chinese standard, white
- 2 modules

Product Status

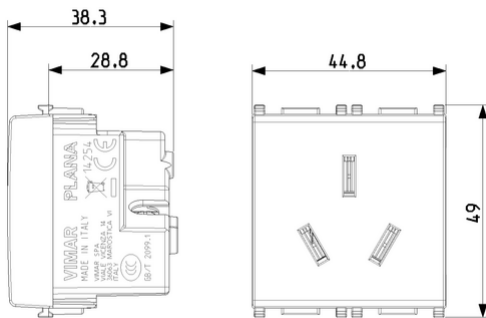
3 - Active

Minimum order quantity

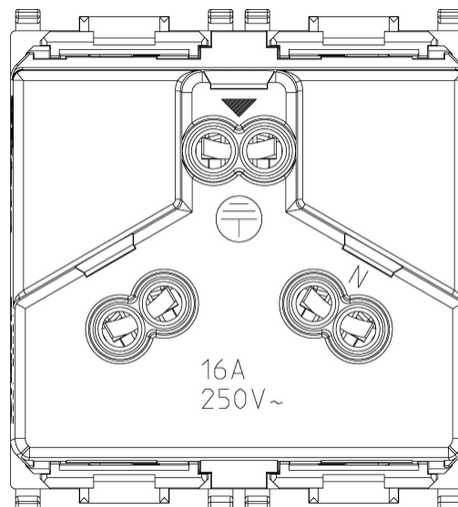
20 NR



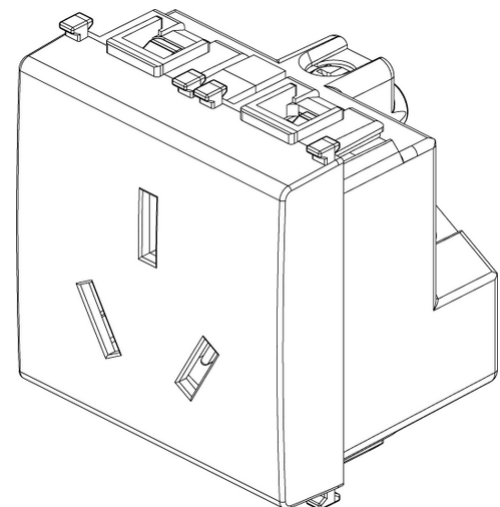
Drawings



Space view



Backside view



3D View

Certifications

- 00. CE Marking - EU
- 15. CCC - China ([download](#))
- 37. Marking - Morocco
- 96. Electrotechnical expert ([download](#))
- 99. WEEE Directive ([download](#))

Technical data

Class group: Domestic switching devices

Class: Socket outlet

Model: Other

Number of socket outlets: 1

Number of modules (module system): 2

Number of socket outlets switchable: 0

Imprint/indication: None

Connection type: Screwed terminal

With hinged lid: No

With enhanced contact protection: Yes

Label space/information surface: Yes

Colour: White

RAL-number (similar): 9003

Metallic colour: No

Transparent: No

Lockable: No

Eject-mechanism: No

Insulated mounting: No

With function lighting: No

With orientation lighting: No

Overvoltage protection: No

Fault current protection: No

With miniature fuse: No

Special power supply: Other

Mounting method: Flush-mounted

Type of fastening: Snap mounting (engagement)

Material: Plastic

Material quality: Thermoplastic

Halogen free: Yes

Surface protection: Untreated

Surface finishing: Glossy

With loop through function: No

With on/off switch: No

Rotated central insert: No

Nominal current: 16 A

Nominal voltage: 250 V

Frequency: 50,00 - 60,00 HZ

Suitable for degree of protection (IP): IP20

Impact strength: Other

Device width: 44,80 mm

Device height: 49,00 mm

Device depth: 38,30 mm

Packaging



8007352130197

Qtà 1 NR
Dim 5.1x4.3x5.3 [cm]
Weight 42.13 [g]



8007352130203

Qtà 20 NR
Dim 26.9x11.6x9 [cm]
Weight 920.6 [g]



8007352644779

Qtà 240 NR
Dim 38x28.5x35.5 [cm]
Weight 11,580 [g]

Legal

Vimar reserves the right to change at any time and without notice the characteristics of the products reported. Installation should be carried out by qualified staff in compliance with the current regulations regarding the installation of electrical equipment in the country where the products are installed. For the terms of use of the information on the product info sheet see [Conditions of Use](#).