



## PLANA: F type female socket connector Silver

### 14318.SL

Wiring devices / Traditional wiring devices / PLANA / Devices

### F type female socket connector Silver

Coaxial socket outlet with F type female connector, Silver. For frequencies up to 2400 MHz. In/out connection with F type male connector (01654)

### Product Status

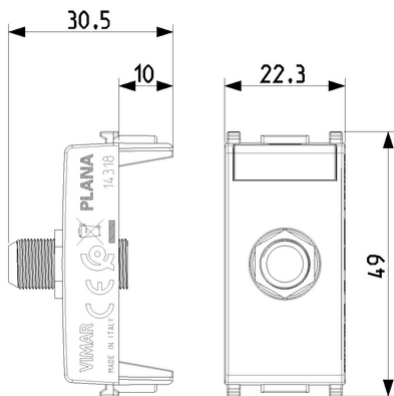
2 - Will be discontinued

### Minimum order quantity

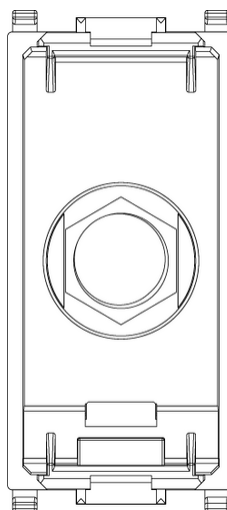
10 NR



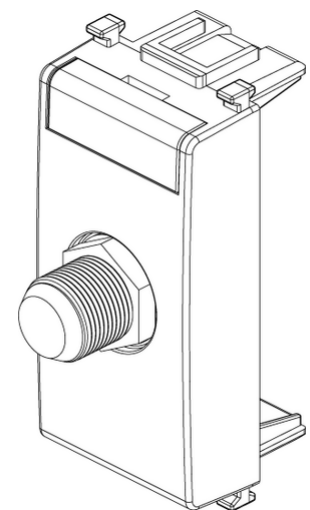
## Drawings



Space view



Backside view



3D View

## Certifications

- 00. CE Marking - EU
- 00. CE Marking - EU
- 37. Marking - Morocco
- 99. WEEE Directive ([download](#))

## Technical data

**Class group:** Antenna and satellite technique

**Class:** Antenna socket box

**Model:** End socket

**Number of outlets:** 1

**Suitable for remote power supply:** Yes

**Type of fastening:** Snap mounting (engagement)

**Colour:** Silver

**RAL-number (similar):** 9006

**Surface protection:** Lacquered

**Material:** Plastic

**Device width:** 22,30 mm

**Device height:** 49,00 mm

**Device depth:** 30,50 mm

## Packaging



8 007352 318939

8007352318939

**Qtà** 1 NR

**Dim** 4.1x2.8x5.3 [cm]

**Weight** 14.93 [g]



8 007352 318946

8007352318946

**Qtà** 10 NR

**Dim** 14.4x9x6 [cm]

**Weight** 184.87 [g]



8 007352 640009

8007352640009

**Qtà** 160 NR

**Dim** 37.5x30x13.5 [cm]

**Weight** 3,320 [g]

## Legal

Vimar reserves the right to change at any time and without notice the characteristics of the products reported. Installation should be carried out by qualified staff in compliance with the current regulations regarding the installation of electrical equipment in the country where the products are installed. For the terms of use of the information on the product info sheet see [Conditions of Use](#).