



PLANA: BUS RJ11phone jack Silver

14329.SL

Smart systems&products / By-me Plus / PLANA / Devices

BUS RJ11phone jack Silver

RJ11 phone jack for Bus connection, screw terminals, Silver

Product Status

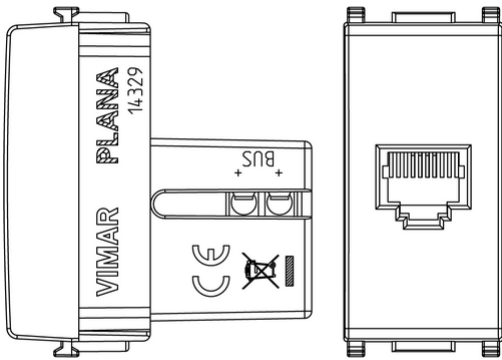
2 - Will be discontinued

Minimum order quantity

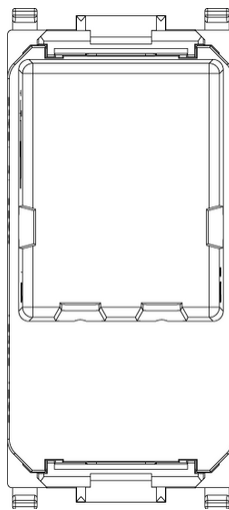
1 NR



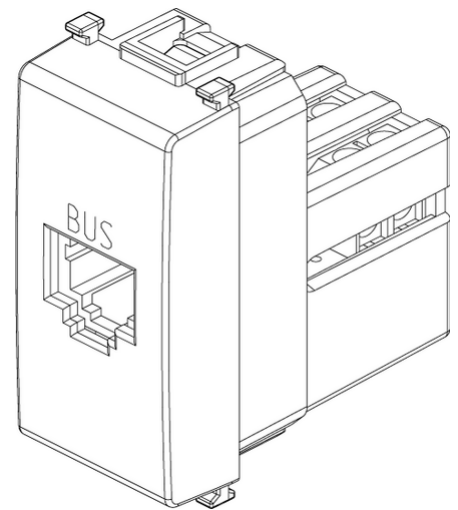
Drawings



Space view



Backside view



3D View

Certifications

• 00. CE Marking - EU

• 99. WEEE Directive ([download](#))

Technical data

Class group: Installation material for data and telecommunication networks

Class: Data communication connection box copper (twisted pair)

Surface mounting: No

Flush-mounted installation: Yes

Duct installation: No

Type of fastening: Engage (snap)

Type of connector: Other

With buses/couplings: Yes

Suitable for number of connectors: 1

Category: Other

Colour: Silver

RAL-number: 0

Connection type: Screw

Shielded buses: No

Shielded housing: No

Separate earthing connection: No

With label space: No

Compatible with third-party covers: Yes

Separate strain relief: No

Mounting method shielding connection: None

With dust cover: No

Degree of protection (IP): IP20

Mechanical coding: No

Colour coding: No

Device height: 49 mm

Packaging



8 007352 318953

8007352318953

Qtà 1 NR
Dim 5.1x2.8x5.3 [cm]
Weight 22.53 [g]



8 007352 318960

8007352318960

Qtà 20 NR
Dim 27x11.6x6 [cm]
Weight 521.5 [g]



8 007352 651104

8007352651104

Qtà 120 NR
Dim 37.5x30x13.5 [cm]
Weight 3,480 [g]

Legal

Vimar reserves the right to change at any time and without notice the characteristics of the products reported. Installation should be carried out by qualified staff in compliance with the current regulations regarding the installation of electrical equipment in the country where the products are installed. For the terms of use of the information on the product info sheet see [Conditions of Use](#).