



## PLANA: Vertical pocket badge switch Silver

### 14465.SL

Wiring devices / Traditional wiring devices / PLANA / Devices

### Vertical pocket badge switch Silver

Electronic badge switch with vertical pocket, 16 A 250 V~ change-over relay output, supply voltage 230 V~ 50-60 Hz, 24 V~ 50-60 Hz and 24 Vdc (SELV), Silver - 3 modules. Provided without ISO card (badge)



### Product Status

3 - Active

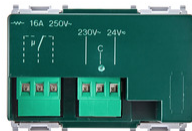
### Minimum order quantity

1 NR

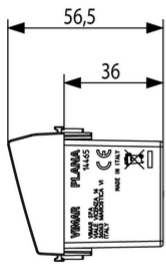
## Sheets, Manuals, Documentation

- [Light Multilanguage instructions sheet \(749 kb\)](#)
- [Full Multilanguage instructions sheet \(816 kb\)](#)

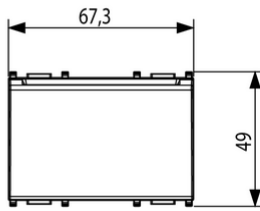
## Gallery



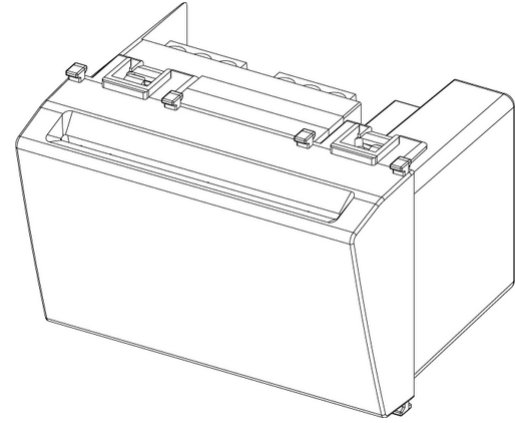
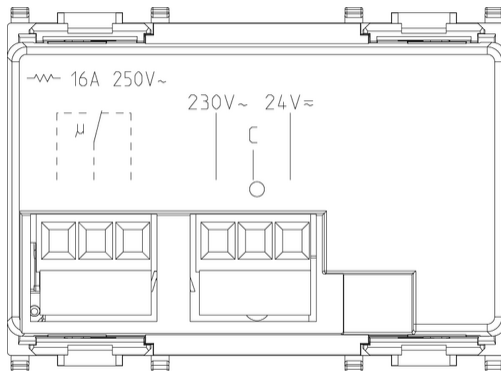
## Drawings



Space view



Backside view



3D View

## Certifications

- 00. CE Marking - EU
- 37. Marking - Morocco
- 37. Marking - Morocco
- 96. Electrotechnical expert ([download](#))
- 99. WEEE Directive ([download](#))

## Technical data

**Class group:** Alarm installations, emergency call and signalling

**Class:** Access control system component

**Standalone:** Yes

**Networkable:** No

**PC-binding:** No

**Type of interface:** None

**Type of reading technique:** Data medium

**Signalling:** None

**Mounting method:** Flush-mounted

**Operating voltage AC 50 Hz:** 250,00 - 250,01 V

**Operating voltage AC 60 Hz:** 250,00 - 250,01 V

**Operating temperature:** 5 - 45 °C

**Degree of protection (IP):** IP20

**Colour:** Silver

**Material:** Plastic

**Width:** 67,20 mm

**Height:** 49,00 mm

**Depth:** 56,80 mm

## Packaging



8 007352 311619

8007352311619

**Qtà** 1 NR

**Dim** 5.7x5.3x7.7 [cm]

**Weight** 90.6 [g]



8 007352 738454

8007352738454

**Qtà** 5 NR

**Dim** 21.4x11.6x6 [cm]

**Weight** 510 [g]



8 007352 738461

8007352738461

**Qtà** 50 NR

**Dim** 30.5x25.5x22.5 [cm]

**Weight** 5,400 [g]

## You may also be interested in



[16452.S - ISO card](#)

## Legal

Vimar reserves the right to change at any time and without notice the characteristics of the products reported. Installation should be carried out by qualified staff in compliance with the current regulations regarding the installation of electrical equipment in the country where the products are installed. For the terms of use of the information on the product info sheet see [Conditions of Use](#).