



PLANA: Rolling shutter IoT connected mechanism

14594.0

Wiring devices / View Wireless wiring devices / PLANA / Devices

Rolling shutter IoT connected mechanism

View Wireless connected electronic control device for 1 roller shutter with slat orientation and change-over relay output for $\cos\phi$ 0,6 motor 2 A 100-240 V~ 50/60 Hz, local or remote control, double technology with Bluetooth® wireless technology 5.0 standard for the realization of View Wireless mesh system and Zigbee 3.0 standard, 1 input for external push button to recall a scenario, favourite position recall function, RGB LED visible in darkness with brightness control, 100-240 V 50/60 Hz power supply, to be completed with two interchangeable 1-module Plana half-buttons

- Configuration from View Wireless App for Bluetooth technology system and Amazon App for Zigbee technology
- Compatible with Alexa, Google Home and IFTTT, using the dedicated gateway or Zigbee hub
- Compatible with SmartThings hub

Product Status

3 - Active

Minimum order quantity

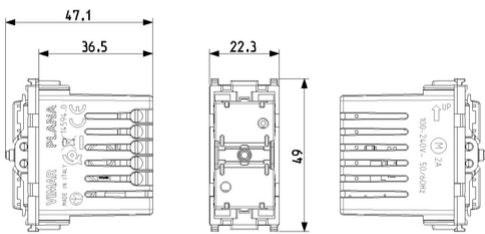
1 NR



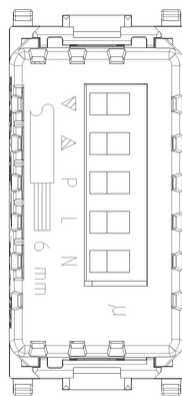
Sheets, Manuals, Documentation

- [Light multilanguage instructions sheet \(938 kb\)](#)
- [Foglio istruzioni Full \(519 kb\)](#)
- [Feuille d'instructions Full \(508 kb\)](#)
- [Hoja de instrucciones Full \(507 kb\)](#)
- [Full instructions sheet \(503 kb\)](#)
- [Φυλλάδιο οδηγιών Full \(645 kb\)](#)
- [Anweisungsblatt Full \(506 kb\)](#)
- [تاداشرإلإة قرو Full \(574 kb\)](#)
- [Manuale app View Wireless \(20721 kb\)](#)
- [Manuel appli View Wireless \(43519 kb\)](#)
- [Manual app View Wireless \(43518 kb\)](#)
- [Manual View Wireless app \(43636 kb\)](#)
- [Εγχειρίδιο τεχνικού εγκατάστασης \(43800 kb\)](#)
- [Installationsanleitung View Wireless \(43586 kb\)](#)

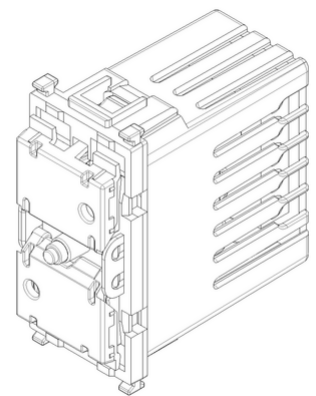
Drawings



Space view



Backside view



3D View

Certifications

- 00. CE Marking - EU ([download](#))
- 01. IMQ - Italy ([download](#))
- 06. SUBTEL - Chile ([download](#))
- 37. Marking - Morocco
- 37. Marking - Morocco
- 37. Marking - Morocco
- 40. Bluetooth technology
- 42. Zigbee certified
- 46. UK PSTI compliance ([download](#))
- 47. Works with SmartThings
- 96. Electrotechnical expert ([download](#))
- 99. WEEE Directive ([download](#))

Technical data

Class group: Installation bus systems

Class: Shutting actuator for bus system

Bus system KNX: No

Bus system KNX-RF (Radio Frequency): No

Bus system radio frequency: Yes

Bus system LON: No

Bus system Powernet: No

Other bus systems: Zigbee

Mounting method: Built-in

Width in number of modular spacings: 0

Local operation/hand operation: Yes

With LED indication: Yes

Packaging



8 007352 628540

8007352628540

Qtà 1 NR

Dim 5.2x3.5x5.3 [cm]

Weight 44.8 [g]



8 007352 628557

8007352628557

Qtà 60 NR

Dim 27x23x12.5 [cm]

Weight 2,869 [g]

You may also be interested in



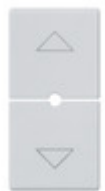
14597 - IoT connected gateway 2M white



14597.SL - IoT connected gateway 2M Silver



14755.2 - 2 half buttons 1M arrows symbol white



14755.2.SL - 2 half buttons 1M arrows symbol Silver

Legal

Vimar reserves the right to change at any time and without notice the characteristics of the products reported. Installation should be carried out by qualified staff in compliance with the current regulations regarding the installation of electrical equipment in the country where the products are installed. For the terms of use of the information on the product info sheet see [Conditions of Use](#).