



PLANA: Frame 2M +claws 71mm grey

14602.G

Wiring devices / Traditional wiring devices / PLANA / Mounting frames

Frame 2M +claws 71mm grey

2-module mounting frame, with claws, for \varnothing 60 mm mounting boxes, modular, distance between centres 71 mm, grey

Product Status

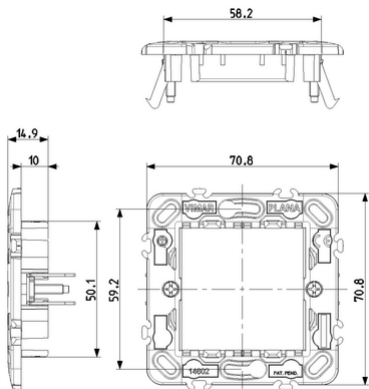
3 - Active

Minimum order quantity

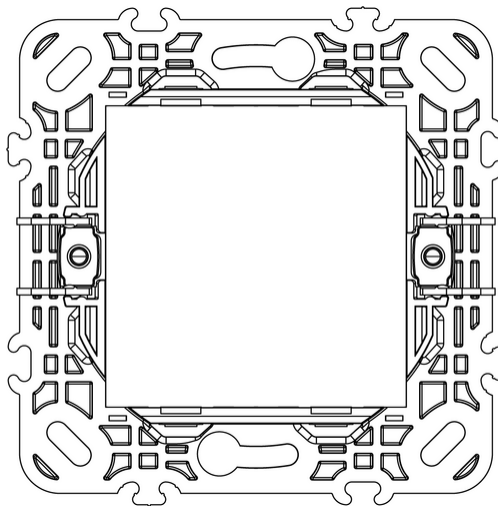
50 NR



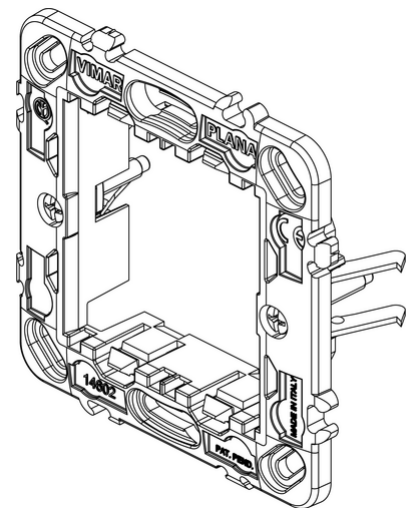
Drawings



Space view



Backside view



3D View

Certifications

- 00. CE Marking - EU
- 01. IMQ - Italy ([download](#))
- 96. Electrotechnical expert ([download](#))

Technical data

Class group: Domestic switching devices

Class: Holder for modular domestic switching devices

Model: Flush-mounted

Type of fastening: Other

Mounting method of the module inserts: Front side

Mounting direction: Horizontal and vertical

Number of modules horizontal (module system): 2

Number of modules vertical (module system): 1

With built-in installation box: No

With screws: No

Suitable for mounting in round junction box 60 mm: Yes

Flush-mounted installation: Yes

Suitable for subfloor installation duct box: No

Suitable for wall duct: No

Suitable for mounting on DIN-rail 35 mm: No

Material: Plastic

Material quality: Thermoplastic

Surface protection: Untreated

Packaging



8 007352 136953

8007352136953

Qtà 1 NR
Dim 7.4x7.4x1.5 [cm]
Weight 21.47 [g]



8 007352 136960

8007352136960

Qtà 50 NR
Dim 28.4x24.4x11.9 [cm]
Weight 1,235.6 [g]



8 007352 649316

8007352649316

Qtà 300 NR
Dim 59.5x38.5x26.5 [cm]
Weight 8,130 [g]

Legal

Vimar reserves the right to change at any time and without notice the characteristics of the products reported. Installation should be carried out by qualified staff in compliance with the current regulations regarding the installation of electrical equipment in the country where the products are installed. For the terms of use of the information on the product info sheet see [Conditions of Use](#).