



## PLANA: Plate 2M BS Reflex orange

**14647.48**

Wiring devices / Traditional wiring devices / PLANA / Cover plates

### Plate 2M BS Reflex orange

2-module cover plate, British Standard, technopolymer, Reflex orange

### Product Status

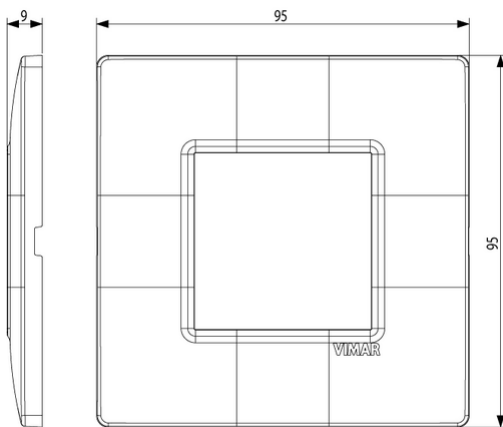
3 - Active

### Minimum order quantity

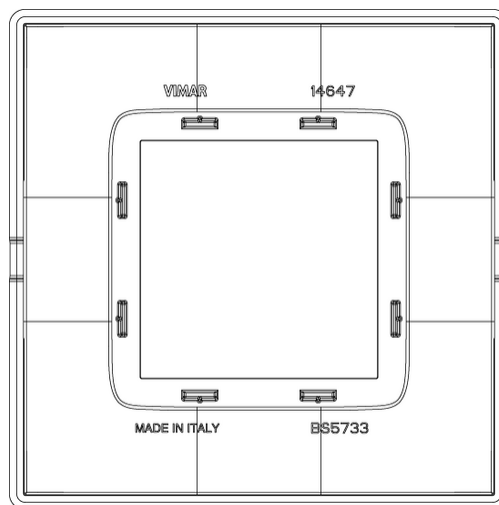
10 NR



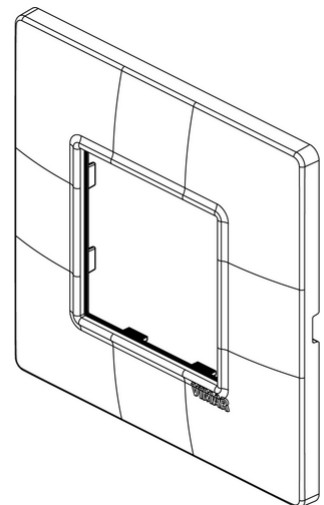
## Drawings



Space view



Backside view



3D View

## Certifications

- 00. CE Marking - EU
- 01. IMQ - Italy ([download](#))
- 08. ASTA - UK ([download](#))

## Technical data

**Class group:** Domestic switching devices

**Class:** Cover frame for domestic switching devices

**Number of units:** 2

**Mounting direction:** Horizontal and vertical

**Number of device inserts horizontal:** 2

**Number of device inserts vertical:** 1

**Number of modules horizontal (module system):** 2

**Number of modules vertical (module system):**  
1

**With mounting grid:** Yes

**Suitable for subfloor installation duct box:** Yes

**Suitable for wall duct:** Yes

**Suitable for built-in installation:** Yes

**Label space/information surface:** Yes

**Material:** Plastic

**Material quality:** Acrylic glass

**Halogen free:** Yes

**Surface protection:** Untreated

**Surface finishing:** Glossy

**Colour:** Orange

**RAL-number (similar):** 2011

**Transparent:** No

**With hinged lid:** No

**Degree of protection (IP):** IP00

**Type of fastening:** Clamp mounting

**Width:** 95,00 mm

**Height:** 95,00 mm

**Depth:** 9,000 mm

**Built-in width:** 95,00 mm

**Built-in height:** 95,00 mm

**Diameter bore hole (opening):** 0,00 mm

## Packaging



8 007352 371781

8007352371781

**Qtà** 1 NR

**Dim** 14.5x9.5x0.9  
[cm]

**Weight** 26.3 [g]



8 007352 376274

8007352376274

**Qtà** 10 NR

**Dim** 11.7x9.8x10.3  
[cm]

**Weight** 304 [g]

## You may also be interested in



14607 - Frame 2M BS

## Legal

Vimar reserves the right to change at any time and without notice the characteristics of the products reported. Installation should be carried out by qualified staff in compliance with the current regulations regarding the installation of electrical equipment in the country where the products are installed. For the terms of use of the information on the product info sheet see [Conditions of Use](#).