



PLANA: Plate 7M techn. granite white

14657.06

Wiring devices / Traditional wiring devices / PLANA / Cover plates

Plate 7M techn. granite white

7-module cover plate, technopolymer, granite white



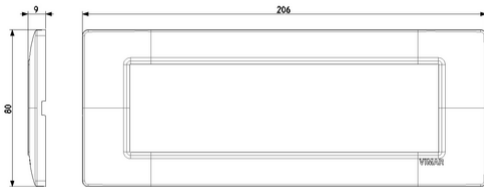
Product Status

3 - Active

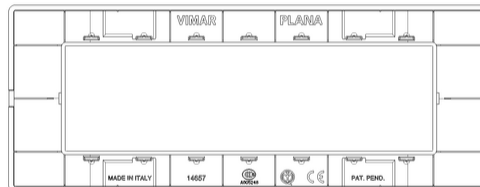
Minimum order quantity

5 NR

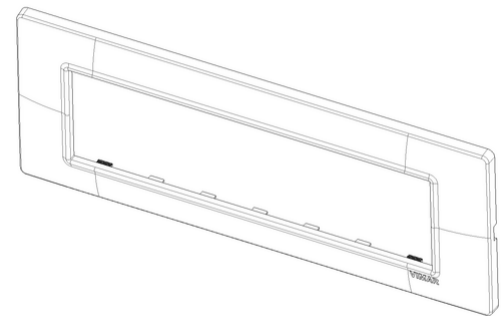
Drawings



Space view



Backside view



3D View

Certifications

• 00. CE Marking - EU

• 01. IMQ - Italy ([download](#))

Technical data

Class group: Domestic switching devices

Class: Cover frame for domestic switching devices

Number of units: 7

Mounting direction: Horizontal and vertical

Number of device inserts horizontal: 7

Number of device inserts vertical: 1

Number of modules horizontal (module system): 7

Number of modules vertical (module system): 1

With mounting grid: Yes

Suitable for subfloor installation duct box: Yes

Suitable for wall duct: Yes

Suitable for built-in installation: Yes

Label space/information surface: Yes

Material: Plastic

Material quality: Thermoplastic

Halogen free: Yes

Surface protection: Untreated

Surface finishing: Glossy

Colour: White

RAL-number (similar): 9001

Transparent: No

With hinged lid: No

Degree of protection (IP): IP00

Type of fastening: Clamp mounting

Width: 206,00 mm

Height: 80,00 mm

Depth: 9,000 mm

Built-in width: 206,00 mm

Built-in height: 80,00 mm

Diameter bore hole (opening): 0,00 mm

Packaging



8 007352 113978

8007352113978

Qtà 1 NR

Dim 25.6x8x0.9 [cm]

Weight 30.2 [g]



8 007352 113985

8007352113985

Qtà 5 NR

Dim 24.2x10.3x5.7 [cm]

Weight 195.6 [g]

You may also be interested in



14617 - Frame 7M
+screws

Legal

Vimar reserves the right to change at any time and without notice the characteristics of the products reported. Installation should be carried out by qualified staff in compliance with the current regulations regarding the installation of electrical equipment in the country where the products are installed. For the terms of use of the information on the product info sheet see [Conditions of Use](#).