



## Connector block boxes: Table mounting box 7M white

**14787**

System infrastructure / Enclosures and control units / Connector block boxes / Desktop

### Table mounting box 7M white

7-module table mounting box, white. To complete with mounting frame and cover plate



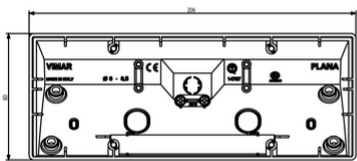
### Product Status

3 - Active

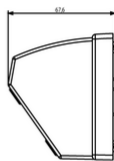
### Minimum order quantity

2 NR

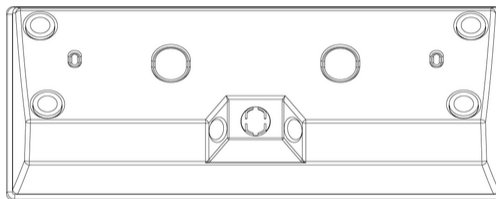
## Drawings



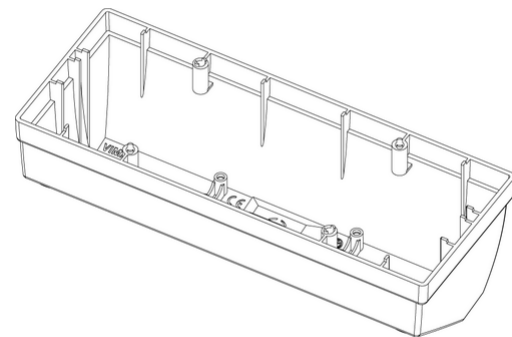
Space view



Backside view



3D View



## Certifications

- 00. CE Marking - EU
- 01. IMQ - Italy ([download](#))
- 96. Electrotechnical expert ([download](#))

## Technical data

**Class group:** Domestic switching devices  
**Class:** Surface mounted box for flush-mounted switching equipment  
**Assembly arrangement:** Other  
**Suitable for modular domestic switching devices:** Yes  
**Number of modules (module system):** 7  
**Number of units:** 7  
**Mounting direction:** Horizontal  
**Material:** Plastic  
**Material quality:** Other  
**Halogen free:** Yes  
**Surface protection:** Untreated  
**Surface finishing:** Matt  
**Colour:** White  
**RAL-number (similar):** 9003

**Transparent:** No  
**With cover frame:** No  
**With duct entry:** No  
**With cable entry:** Yes  
**With screw gland entry:** No  
**Shock resistant:** Yes  
**Degree of protection (IP):** IP20  
**Width:** 206,00 mm  
**Height:** 80,00 mm  
**Depth:** 67,60 mm  
**Suitable for switching devices with max. width:** 206,00 mm  
**Suitable for switching devices with max. height:** 80,00 mm  
**Suitable for switching devices with max. depth:** 67,60 mm

## Packaging



8 007352 119383

8007352119383

**Qtà** 1 NR  
**Dim** 20.6x8x6.8 [cm]  
**Weight** 193.53 [g]



8 007352 119390

8007352119390

**Qtà** 2 NR  
**Dim** 24.4x13.9x10.1 [cm]  
**Weight** 462.321 [g]

## You may also be interested in



14617 - Frame 7M  
+screws



14784 - Table mounting  
box 4M white

## Legal

Vimar reserves the right to change at any time and without notice the characteristics of the products reported. Installation should be carried out by qualified staff in compliance with the current regulations regarding the installation of electrical equipment in the country where the products are installed. For the terms of use of the information on the product info sheet see [Conditions of Use](#).