



IDEA: HDMI 2.1b socket connector grey

16334

Wiring devices / Traditional wiring devices / IDEA / Devices

HDMI 2.1b socket connector grey

Socket outlet with HDMI 2.1b connector, Keystone fixing, grey

Product Status

3 - Active

Minimum order quantity

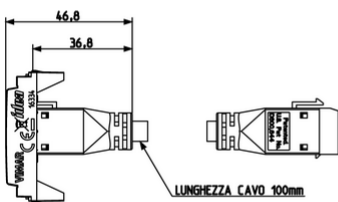
1 NR



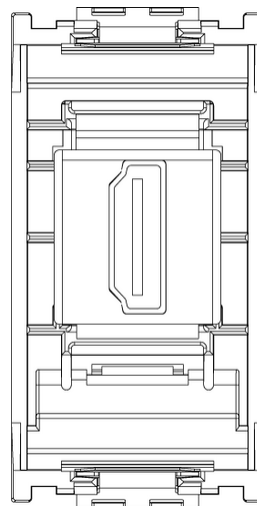
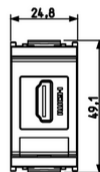
Sheets, Manuals, Documentation

- [Multilanguage instructions sheet \(1196 kb\)](#)

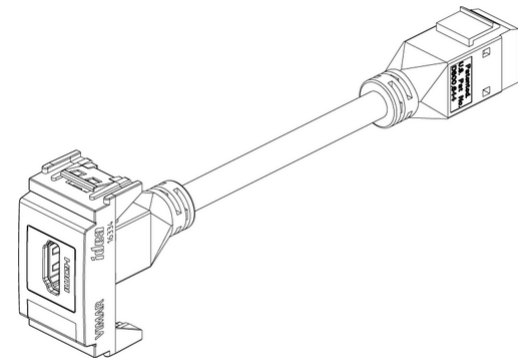
Drawings



Space view



Backside view



3D View

Certifications

- 00. CE Marking - EU
- 99. WEEE Directive ([download](#))

Technical data

Class group: Domestic switching devices

Class: Insert/cover for communication technology

Assembly arrangement: Modular device for domestic switching devices

Utilization: HDMI

Support ring: No

With dust cover: No

With hinged lid: No

With imprint: No

Mounting method: Flush-mounted

Material: Plastic

Material quality: Thermoplastic

Halogen free: Yes

Surface protection: Untreated

Surface finishing: Matt

Colour: Grey

RAL-number (similar): 7015

Transparent: No

Number of modules (module system): 1

With strain relief: No

Luster terminal: No

Suitable for degree of protection (IP): IP20

Device width: 24,80 mm

Device height: 50,10 mm

Device depth: 46,80 mm

Packaging



8007352420656

Qtà 1 NR

Dim 14.2x6.7x5.9
[cm]

Weight 83.75 [g]

Legal

Vimar reserves the right to change at any time and without notice the characteristics of the products reported. Installation should be carried out by qualified staff in compliance with the current regulations regarding the installation of electrical equipment in the country where the products are installed. For the terms of use of the information on the product info sheet see [Conditions of Use](#).