



## IDEA: RJ45 Cat6 Netsafe UTP 110 outlet grey

**16359.6**

System infrastructure / Netsafe structured wiring / IDEA / Devices

### RJ45 Cat6 Netsafe UTP 110 outlet grey

RJ45 outlet with Netsafe connector, Cat. 6, unshielded, T568A/B universal wiring, 8 contacts, 110 type insulation-piercing terminals, grey



### Product Status

3 - Active

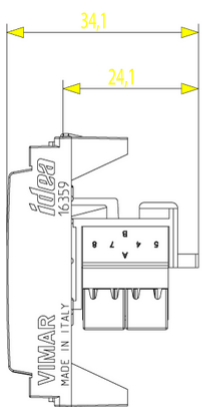
### Minimum order quantity

10 NR

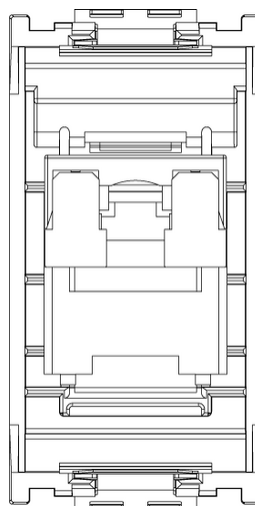
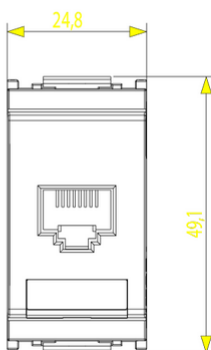
## Sheets, Manuals, Documentation

- [Multilanguage instructions sheet \(301 kb\)](#)

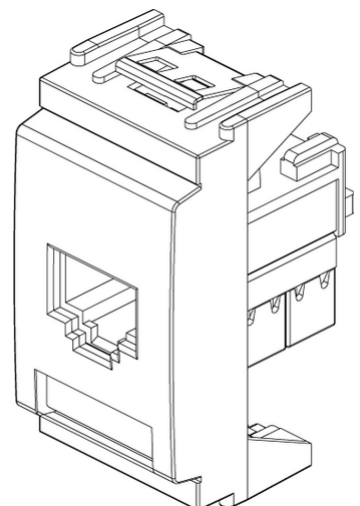
## Drawings



Space view



Backside view



3D View

## Certifications

- 00. CE Marking - EU
- 99. WEEE Directive ([download](#))

## Technical data

**Class group:** Installation material for data and telecommunication networks

**Class:** Modular connector

**Model:** Bus (jack)

**Type of connector:** RJ45 8(8)

**Screened:** No

**Category:** 6

**Connection type:** 110

**Special tool necessary:** Yes

**Suitable for round cable:** Yes

**Suitable for flat cable:** Yes

**Suitable for litz wire conductor:** No

**Suitable for solid conductors:** No

**Colour:** Other

## Packaging



8007352256248

**Qtà** 1 NR

**Dim** 6x2.8x5.3 [cm]

**Weight** 22.2 [g]



8007352256255

**Qtà** 10 NR

**Dim** 14.4x13.1x6 [cm]

**Weight** 268.87 [g]



8007352650138

**Qtà** 200 NR

**Dim** 50.5x20x28 [cm]

**Weight** 5,820 [g]

## Legal

Vimar reserves the right to change at any time and without notice the characteristics of the products reported. Installation should be carried out by qualified staff in compliance with the current regulations regarding the installation of electrical equipment in the country where the products are installed. For the terms of use of the information on the product info sheet see [Conditions of Use](#).