



## IDEA: 1P+N C10 RCBO 120-230V 10mA grey

### 16511.10

Wiring devices / Traditional wiring devices / IDEA / Devices

### 1P+N C10 RCBO 120-230V 10mA grey

1P+N C 10 residual current breaker with overcurrent protection, supply voltage 120-230 V~ 50-60 Hz,  $I_{\Delta n}$  10 mA, breaking capacity 3000 A, grey - 2 modules

### Product Status

3 - Active

### Minimum order quantity

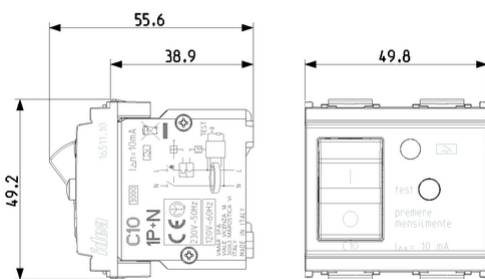
5 NR



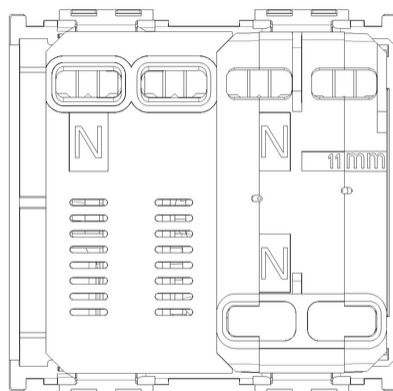
## Sheets, Manuals, Documentation

- [Multilanguage instructions sheet \(688 kb\)](#)

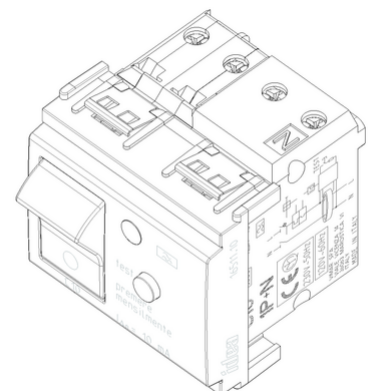
## Drawings



Space view



Backside view



3D View

## Certifications

- 00. CE Marking - EU
- 01. IMQ - Italy ([download](#))
- 37. Marking - Morocco
- 96. Electrotechnical expert ([download](#))
- 99. WEEE Directive ([download](#))

## Technical data

**Class group:** Circuit breakers and fuses

**Class:** Earth leakage circuit breaker

**Number of poles (total):** 2

**Number of protected poles:** 1

**Rated voltage:** 230 V

**Rated current:** 10 A

**Rated fault current:** 10 A

**Mounting method:** Built-in

**Leakage current type:** A

**Current limiting class:** 1

**Rated short-circuit breaking capacity I<sub>cn</sub> according to EN 61009-1:** 3.000,00 kA

**Surge current capacity:** 3,00 kA

**Voltage type:** AC

**Frequency:** 50/60 Hz

**Release characteristic:** C

**Concurrently switching neutral conductor:** Yes

**Overvoltage category:** 3

**Built-in depth:** 39,10 mm

**Anti-nuisance tripping version:** No

**Degree of protection (IP):** IP40

## Packaging



8 007352 107533

8007352107533

**Qtà** 1 NR

**Dim** 6x5.4x5.3 [cm]

**Weight** 100.53 [g]



8 007352 107540

8007352107540

**Qtà** 5 NR

**Dim** 17.2x13.1x6 [cm]

**Weight** 567.33 [g]

## Legal

Vimar reserves the right to change at any time and without notice the characteristics of the products reported. Installation should be carried out by qualified staff in compliance with the current regulations regarding the installation of electrical equipment in the country where the products are installed. For the terms of use of the information on the product info sheet see [Conditions of Use](#).