



IDEA: 1P 6(2)A slide switch grey

16558

Wiring devices / Traditional wiring devices / IDEA / Devices

1P 6(2)A slide switch grey

1P 6(2) A 250 V~slide switch, 4 positions, for fan-coil speed adjustment, grey

Product Status

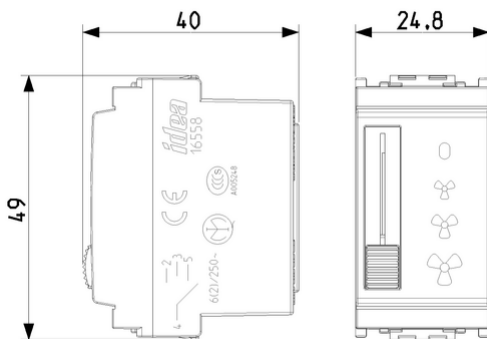
3 - Active

Minimum order quantity

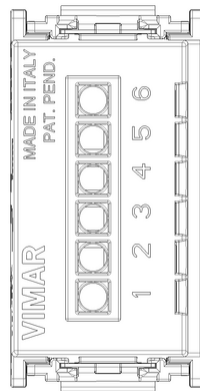
10 NR



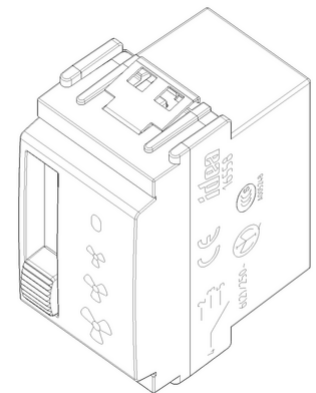
Drawings



Space view



Backside view



3D View

Certifications

- 00. CE Marking - EU
- 00. CE Marking - EU
- 01. IMQ - Italy ([download](#))
- 37. Marking - Morocco
- 96. Electrotechnical expert ([download](#))
- 99. WEEE Directive ([download](#))

Technical data

Class group: Domestic switching devices

Class: Three-stage switch

Operating method: Other

Wiring system: Other

Mounting method: Flush-mounted

Material: Plastic

Material quality: Thermoplastic

Halogen free: Yes

Surface finishing: Matt

Colour: Grey

RAL-number (similar): 7015

Transparent: No

Suitable for degree of protection (IP): IP40

Rated current: 6 A

Nominal voltage: 250 V

Type of fastening: Other

Packaging



8007352088603

Qtà 1 NR

Dim 5.1x2.8x5.3 [cm]

Weight 35 [g]



8007352115149

Qtà 10 NR

Dim 14.4x11.6x6 [cm]

Weight 394.93 [g]



8007352657151

Qtà 120 NR

Dim 36.5x33x13.5 [cm]

Weight 5,148 [g]

Legal

Vimar reserves the right to change at any time and without notice the characteristics of the products reported. Installation should be carried out by qualified staff in compliance with the current regulations regarding the installation of electrical equipment in the country where the products are installed. For the terms of use of the information on the product info sheet see [Conditions of Use](#).