



IDEA: IR relay-switch 230V grey

16633

Wiring devices / Traditional wiring devices / IDEA / Devices

IR relay-switch 230V grey

Automatic lighting switch with IR motion sensor, adjustable dusk/dawn sensor threshold and time-delay cycle, NO 6 A 230 V~ relay output, supply voltage 230 V~ 50-60 Hz, grey



Product Status

3 - Active

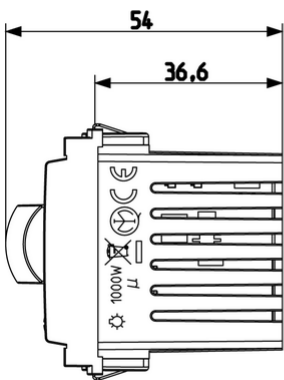
Minimum order quantity

5 NR

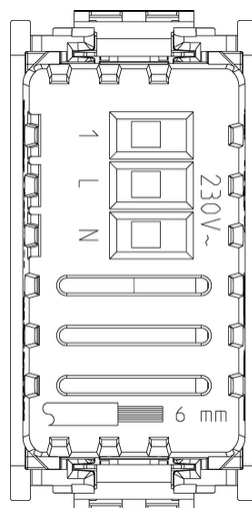
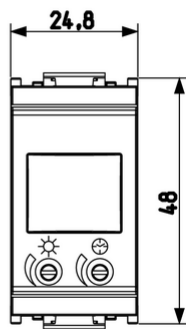
Sheets, Manuals, Documentation

- [Light Multilanguage instructions sheet \(947 kb\)](#)
- [Full Multilanguage instructions sheet \(1103 kb\)](#)

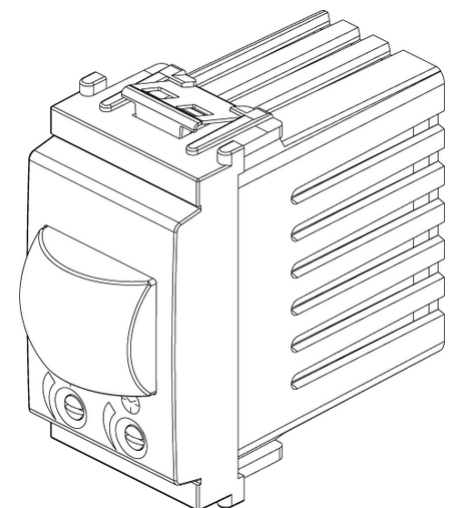
Drawings



Space view



Backside view



3D View

Certifications

- **00. CE Marking - EU**
- **01. IMQ - Italy ([download](#))**
- **37. Marking - Morocco**
- **37. Marking - Morocco**
- **96. Electrotechnical expert ([download](#))**
- **99. WEEE Directive ([download](#))**

Technical data

Class group: Domestic switching devices

Class: Electronic insert for domestic switching devices

Model: Other

Assembly arrangement: Modular device for domestic switching devices

Number of modules (module system): 1

Radio-controlled: No

Mounting method: Flush-mounted

Type of fastening: Engage (snap)

Material: Plastic

Material quality: Thermoplastic

Surface protection: Untreated

Surface finishing: Matt

Colour: Grey

RAL-number (similar): 7015

Transparent: No

Packaging



8007352328402

Qtà 1 NR

Dim 5.3x3.9x7.6 [cm]

Weight 54.73 [g]



8007352328419

Qtà 5 NR

Dim 20.6x8.5x6 [cm]

Weight 318.2 [g]

Legal

Vimar reserves the right to change at any time and without notice the characteristics of the products reported. Installation should be carried out by qualified staff in compliance with the current regulations regarding the installation of electrical equipment in the country where the products are installed. For the terms of use of the information on the product info sheet see [Conditions of Use](#).