



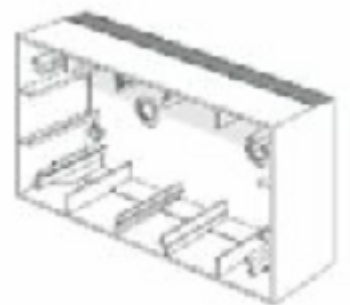
Connector block boxes: Surface mounting box Idea white

16894.B

System infrastructure / Enclosures and control units / Connector block boxes
/ Surface mounting

Surface mounting box Idea white

Surface mounting box, Idea white. Dimensions: 248x146x74,5 mm



Product Status

2 - Will be discontinued

Minimum order quantity

1 NR

Technical data

- **Class group:** Connection material (electrotechnical)
- **Class:** Box/housing for surface mounting on the wall/ceiling
- **Max. conductor cross section:** 0
- **Equipped with:** None
- **Shape:** Rectangular
- **Mounting method:** Wall-/ceiling mounting
- **For tube diameter:** 20/25 mm
- **Inlet from the rear:** Yes
- **Length:** 146,00 mm
- **Width:** 248,00 mm
- **Depth:** 74,50 mm
- **Diameter:** 0 mm
- **Tackable:** No
- **Number of inlets:** 6
- **Type of housing feed-through:** None
- **Material:** Plastic
- **Halogen free:** Yes
- **Surface protection:** Untreated
- **Colour:** White
- **Degree of protection (IP):** IP20
- **Cover model:** Other
- **Transparent cover:** No
- **Cover attachment:** Screwed
- **Castable:** No
- **With casting compound:** No
- **Sealable:** No
- **Rated insulation voltage Ui:** 450 V
- **Circuit integrity:** None
- **With screening:** No
- **Weatherproof:** No
- **Operating temperature:** 0 - 60 °C
- **Explosion-tested version:** No
- **For Ex-zone gas:** None
- **For Ex-Zone dust:** None

Packaging



Code 8007352095588
Quantity 1 NR
Dim. 28.4x18.4x7.5 [cm]
Weight 374.4 [g]

Legal

Vimar reserves the right to change at any time and without notice the characteristics of the products reported. Installation should be carried out by qualified staff in compliance with the current regulations regarding the installation of electrical equipment in the country where the products are installed. For the terms of use of the information on the product info sheet see [Conditions of Use](#).