



IDEA: 2P+E 16A P30 outlet red

17039.R

Wiring devices / Traditional wiring devices / IDEA / Devices

2P+E 16A P30 outlet red

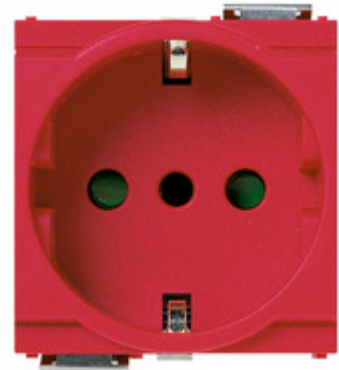
2P+E 16 A 250 V~ SICURY socket outlet, Italian standard P30 (lateral and central earth contacts), red - 2 reduced modules

Product Status

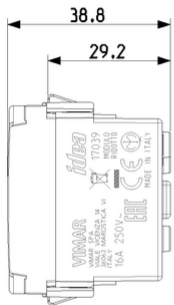
3 - Active

Minimum order quantity

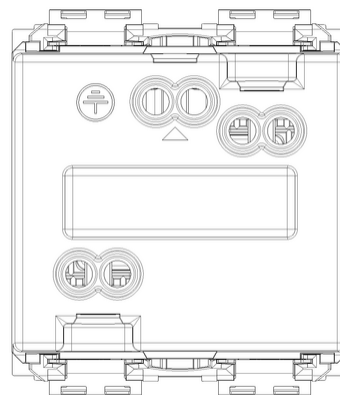
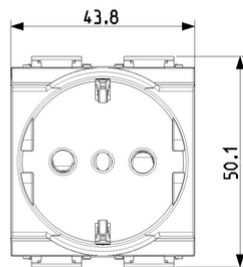
20 NR



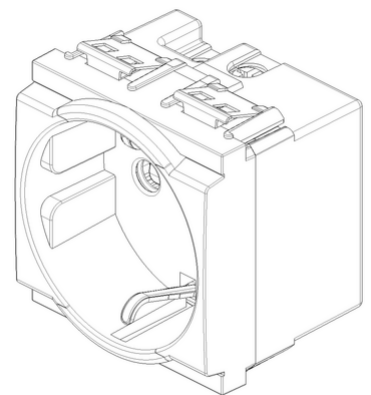
Drawings



Space view



Backside view



3D View

Certifications

- 00. CE Marking - EU
- 01. IMQ - Italy ([download](#))
- 37. Marking - Morocco
- 99. WEEE Directive ([download](#))

Technical data

Class group: Domestic switching devices

Class: Socket outlet

Model: Italian type P30

Number of socket outlets: 1

Number of modules (module system): 2

Number of socket outlets switchable: 0

Imprint/indication: None

Connection type: Screwed terminal

With hinged lid: No

With enhanced contact protection: Yes

Label space/information surface: Yes

Colour: Red

RAL-number (similar): 3001

Metallic colour: No

Transparent: No

Lockable: No

Eject-mechanism: No

Insulated mounting: No

With function lighting: No

With orientation lighting: No

Overvoltage protection: No

Fault current protection: No

With miniature fuse: No

Mounting method: Flush-mounted

Type of fastening: Snap mounting (engagement)

Material: Plastic

Material quality: Thermoplastic

Halogen free: Yes

Surface protection: Untreated

Surface finishing: Matt

With loop through function: No

With on/off switch: No

Rotated central insert: No

Nominal current: 16 A

Nominal voltage: 250 V

Frequency: 50,00 - 60,00 HZ

Suitable for degree of protection (IP): IP20

Impact strength: Other

Device width: 21,80 mm

Device height: 50,10 mm

Device depth: 32,50 mm

Packaging



8 007352 106031

8007352106031

Qtà 1 NR

Dim 5.1x4.3x5.3 [cm]

Weight 49.47 [g]



8 007352 106048

8007352106048

Qtà 20 NR

Dim 26.9x11.6x9 [cm]

Weight 1,075.87 [g]

Legal

Vimar reserves the right to change at any time and without notice the characteristics of the products reported. Installation should be carried out by qualified staff in compliance with the current regulations regarding the installation of electrical equipment in the country where the products are installed. For the terms of use of the information on the product info sheet see [Conditions of Use](#).