



ARKÉ: Blank module 2M grey

19042

Wiring devices / Traditional wiring devices / ARKÉ / Blank module

Blank module 2M grey

Blank module, grey - 2 modules

Product Status

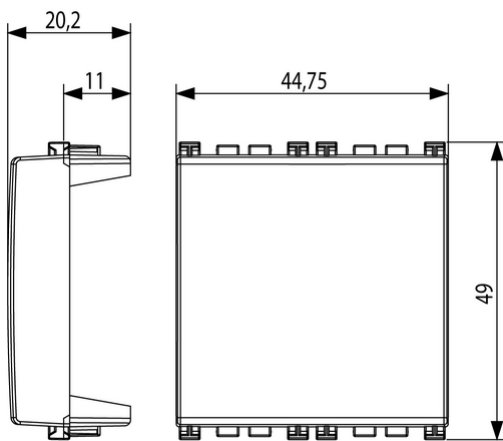
3 - Active

Minimum order quantity

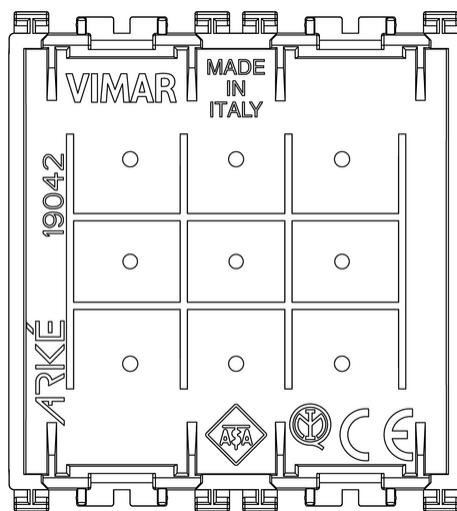
20 NR



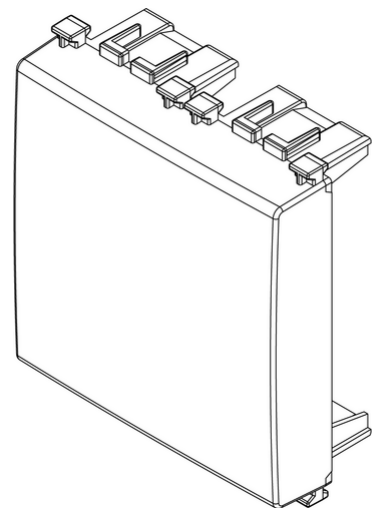
Drawings



Space view



Backside view



3D View

Certifications

- 00. CE Marking - EU
- 01. IMQ - Italy ([download](#))
- 08. ASTA - UK ([download](#))
- 96. Electrotechnical expert ([download](#))

Technical data

Class group: Domestic switching devices

Class: Push button

Operating method: Other

Number of modules (module system): 2

Nominal voltage: 0 V

With lighting: No

Monitoring contact: No

Mounting method: Built-in

Material: Plastic

Material quality: Thermoplastic

Halogen free: Yes

Surface protection: Lacquered

Surface finishing: Matt

Colour: Grey

RAL-number (similar): 7015

Transparent: No

Label space/information surface: Yes

Device width: 44,75 mm

Device height: 49,00 mm

Device depth: 20,20 mm

Packaging



8 007352 588561

8007352588561

Qtà 1 NR

Dim 4.47x4.9x2.15
[cm]

Weight 7.8 [g]



8 007352 588578

8007352588578

Qtà 5 NR

Dim 22x4.9x2.1 [cm]

Weight 41.4 [g]



8 007352 588585

8007352588585

Qtà 20 NR

Dim 27x11.6x6 [cm]

Weight 238.8 [g]

Legal

Vimar reserves the right to change at any time and without notice the characteristics of the products reported. Installation should be carried out by qualified staff in compliance with the current regulations regarding the installation of electrical equipment in the country where the products are installed. For the terms of use of the information on the product info sheet see [Conditions of Use](#).