



ARKÉ: Two interlocked NO+NO 10A pushes grey

19062

Wiring devices / Traditional wiring devices / ARKÉ / Devices

Two interlocked NO+NO 10A pushes grey

Two interlocked push buttons, 1P NO + 1P NO 10 A 250 V~, with directional arrows, grey



Product Status

3 - Active

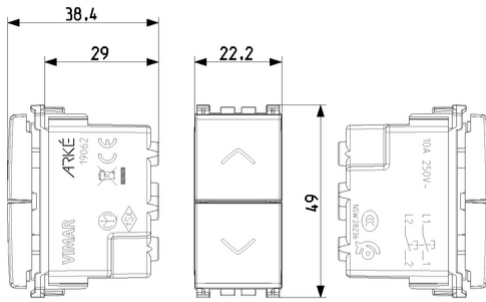
Minimum order quantity

20 NR

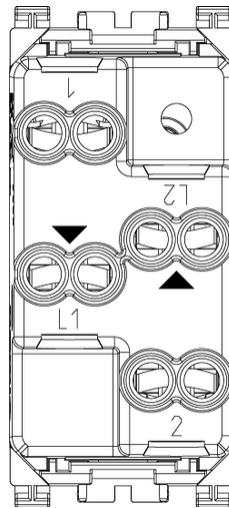
Gallery



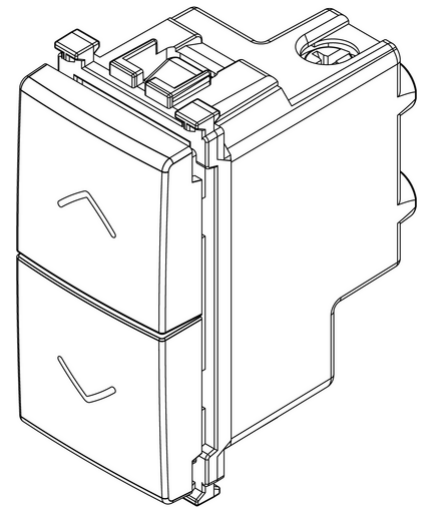
Drawings



Space view



Backside view



3D View

Certifications

- 00. CE Marking - EU
- 01. IMQ - Italy ([download](#))
- 14. TSE - Turkey ([download](#))
- 15. CCC - China ([download](#))
- 19. NOM - Mexico
- 31. TISI - Thailand
- 35. RCM - Australia
- 36. ISI - India
- 37. Marking - Morocco
- 96. Electrotechnical expert ([download](#))
- 99. WEEE Directive ([download](#))

Technical data

Class group: Domestic switching devices

Class: Push button

Assembly arrangement: Modular device for domestic switching devices

Model: Other

Operating method: Push button

Number of rockers: 1

Number of modules (module system): 100

Number of poles: 1

Nominal voltage: 250 V

Rated current: 10,00 A

With lighting: No

Monitoring contact: No

Mounting method: Built-in

Type of fastening: Engage (snap)

Material: Plastic

Material quality: Thermoplastic

Halogen free: Yes

Surface protection: Untreated

Surface finishing: Matt

Colour: Grey

RAL-number (similar): 7015

Transparent: No

Label space/information surface: Yes

Suitable for degree of protection (IP): IP40

Device width: 22,30 mm

Device height: 49,00 mm

Device depth: 38,40 mm

Packaging



8 007352 413986

8007352413986

Qtà 1 NR

Dim 4.1x2.8x5.3 [cm]

Weight 32.9 [g]



8 007352 413993

8007352413993

Qtà 20 NR

Dim 21.4x11.6x6 [cm]

Weight 739 [g]



8 007352 672321

8007352672321

Qtà 200 NR

Dim 30.5x25.5x22.5 [cm]

Weight 7,840 [g]

Legal

Vimar reserves the right to change at any time and without notice the characteristics of the products reported. Installation should be carried out by qualified staff in compliance with the current regulations regarding the installation of electrical equipment in the country where the products are installed. For the terms of use of the information on the product info sheet see [Conditions of Use](#).