



## ARKÉ: Socket with 3 RCA connector white

**19335.B**

Wiring devices / Traditional wiring devices / ARKÉ / Devices

### Socket with 3 RCA connector white

Socket outlet with 3 RCA connectors, screw terminals, white

### Product Status

3 - Active

### Minimum order quantity

1 NR



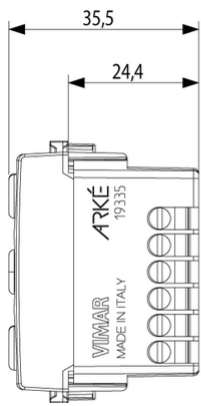
## Sheets, Manuals, Documentation

- [Multilanguage instructions sheet \(339 kb\)](#)

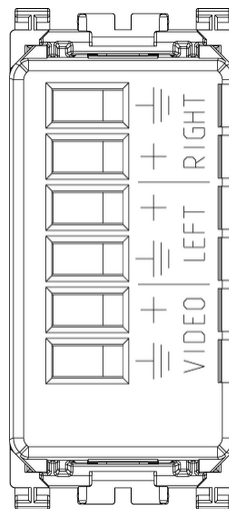
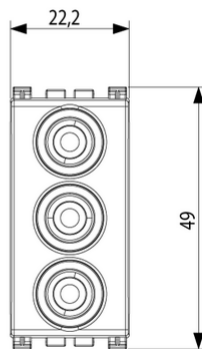
## Gallery



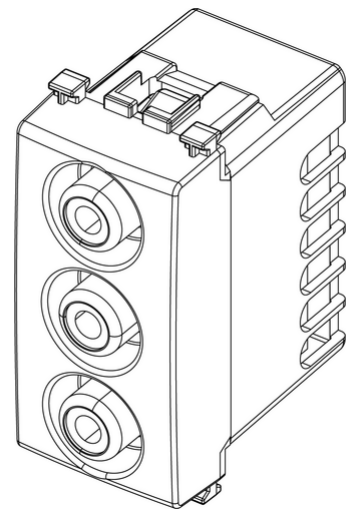
## Drawings



Space view



Backside view



3D View

## Certifications

• 00. CE Marking - EU

• 99. WEEE Directive ([download](#))

## Technical data

**Class group:** Domestic switching devices

**Class:** Insert/cover for communication technology

**Assembly arrangement:** Modular device for domestic switching devices

**Utilization:** RCA

**Support ring:** No

**With dust cover:** No

**With hinged lid:** No

**Mounting method:** Flush-mounted

**Material:** Plastic

**Material quality:** Thermoplastic

**Halogen free:** Yes

**Surface protection:** Untreated

**Surface finishing:** Matt

**Colour:** White

**RAL-number (similar):** 9016

**Transparent:** No

**Number of modules (module system):** 1

**With strain relief:** No

**Luster terminal:** No

**Suitable for degree of protection (IP):** IP20

**Device width:** 22,20 mm

**Device height:** 49,00 mm

**Device depth:** 35,50 mm

## Packaging



8007352456754

**Qtà** 1 NR  
**Dim** 5.1x2.8x5.3 [cm]  
**Weight** 36.6 [g]



8007352456761

**Qtà** 10 NR  
**Dim** 14.4x11.6x6 [cm]  
**Weight** 409.6 [g]



8007352657076

**Qtà** 120 NR  
**Dim** 36.5x33x13.5 [cm]  
**Weight** 5,328 [g]

## Legal

Vimar reserves the right to change at any time and without notice the characteristics of the products reported. Installation should be carried out by qualified staff in compliance with the current regulations regarding the installation of electrical equipment in the country where the products are installed. For the terms of use of the information on the product info sheet see [Condizioni di utilizzo](#).