



ARKÉ: RJ45 Cat6 UTP outlet+cover Metal

19337.6.M

System infrastructure / Netsafe structured wiring / ARKÉ / Devices

RJ45 Cat6 UTP outlet+cover Metal

RJ45 outlet with dust cover, Cat. 6, unshielded, T568A/B universal wiring, 8 contacts, insulation-piercing terminals, Metal

Product Status

3 - Active

Minimum order quantity

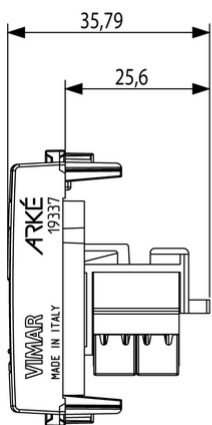
20 NR



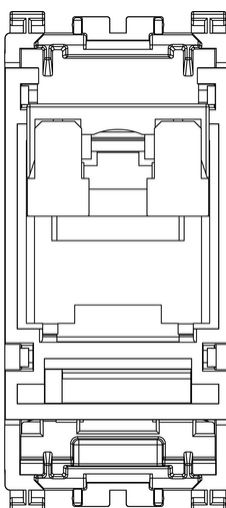
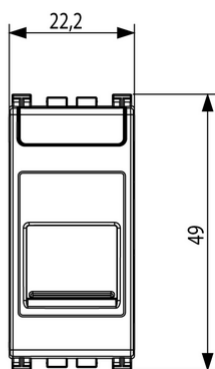
Sheets, Manuals, Documentation

- [Multilanguage instructions sheet \(325 kb\)](#)

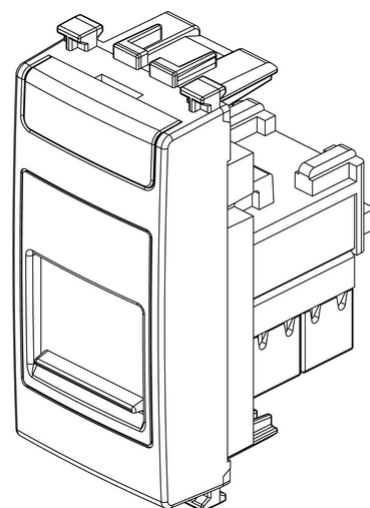
Drawings



Space view



Backside view



3D View

Certifications

- 00. CE Marking - EU
- 99. WEEE Directive ([download](#))

Technical data

Class group: Installation material for data and telecommunication networks

Class: Modular connector

Model: Bus (jack)

Type of connector: RJ45 8(8)

Screened: No

Category: 6

Connection type: Crimp

Special tool necessary: Yes

Suitable for round cable: Yes

Suitable for flat cable: Yes

Colour: Other

Packaging



8007352592681

Qtà 1 NR

Dim 5.1x2.8x5.3 [cm]

Weight 21.2 [g]



8007352592698

Qtà 20 NR

Dim 27x11.6x6 [cm]

Weight 497.8 [g]

Legal

Vimar reserves the right to change at any time and without notice the characteristics of the products reported. Installation should be carried out by qualified staff in compliance with the current regulations regarding the installation of electrical equipment in the country where the products are installed. For the terms of use of the information on the product info sheet see [Conditions of Use](#).