



## ARKÉ: Relay actuator 1M white

**19534.B**

Smart systems&products / By-me Plus / ARKÉ / Devices

### Relay actuator 1M white

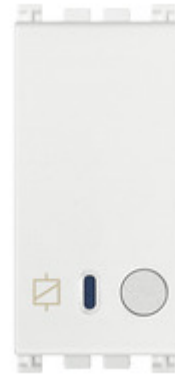
Actuator with 6 A 120-230 V~ change-over relay output, white

### Product Status

3 - Active

### Minimum order quantity

1 NR



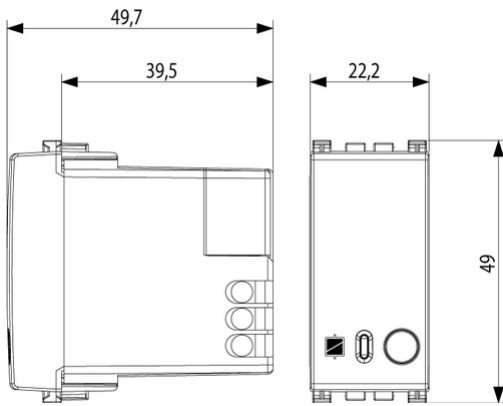
## Sheets, Manuals, Documentation

- [Light Multilanguage instructions sheet \(851 kb\)](#)
- [Full Multilanguage instructions sheet \(997 kb\)](#)
- [By-me automation-fw Compatibility \(206 kb\)](#)

## Gallery



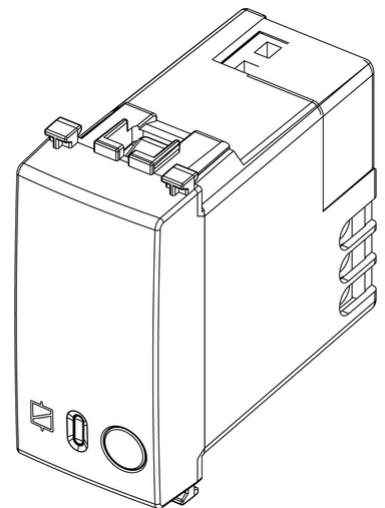
## Drawings



Space view



Backside view



3D View

## Certifications

- 00. CE Marking - EU
- 37. Marking - Morocco
- 46. UK PSTI compliance ([download](#))
- 96. Electrotechnical expert ([download](#))
- 99. WEEE Directive ([download](#))

## Technical data

**Class group:** Installation bus systems

**Class:** Switch actuator for bus system

**Bus system KNX:** No

**Bus system KNX-RF (Radio Frequency):** No

**Bus system radio frequency:** No

**Bus system LON:** No

**Bus system Powernet:** No

**Other bus systems:** None

**Radio frequency bidirectional:** No

**Mounting method:** Flush-mounted

**Width in number of modular spacings:** 1

**Local operation/hand operation:** No

**With LED indication:** Yes

**Suitable for C-load:** Yes

**Max. number of switching contacts:** 1

**Rated current:** 6 A

**Rated operating voltage:** 120,00 - 230,00 V

**Different phases connectable:** No

**With bus connection:** Yes

**Modular expandability:** No

**Degree of protection (IP):** IP40

## Packaging



8 007352 457362

8007352457362

**Qtà** 1 NR

**Dim** 5.1x4.3x5.3 [cm]

**Weight** 54.9 [g]



8 007352 457379

8007352457379

**Qtà** 5 NR

**Dim** 14.4x11.6x6 [cm]

**Weight** 322.8 [g]



8 007352 648227

8007352648227

**Qtà** 60 NR

**Dim** 36.5x33x13.5 [cm]

**Weight** 4,290 [g]

## Legal

Vimar reserves the right to change at any time and without notice the characteristics of the products reported. Installation should be carried out by qualified staff in compliance with the current regulations regarding the installation of electrical equipment in the country where the products are installed. For the terms of use of the information on the product info sheet see [Conditions of Use](#).