



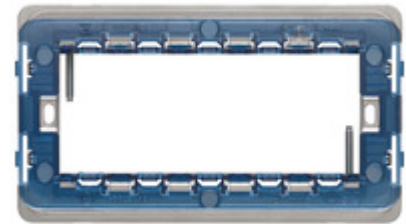
ARKÉ: Support 5M BS

19609

Wiring devices / Traditional wiring devices / ARKÉ / Mounting frames

Support 5M BS

5-module mounting frame, with screws, for British standard mounting boxes



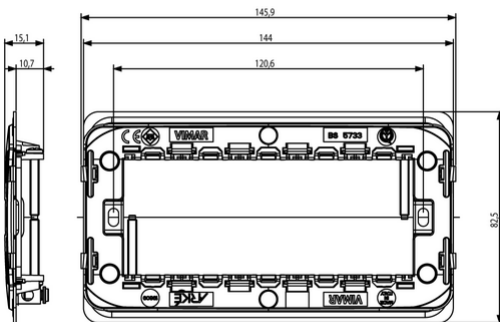
Product Status

3 - Active

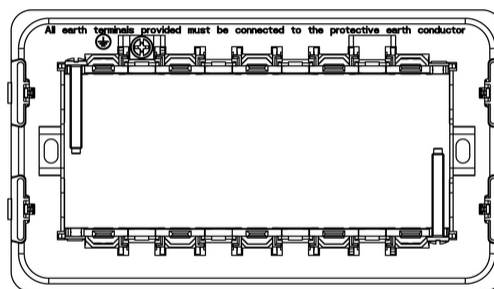
Minimum order quantity

10 NR

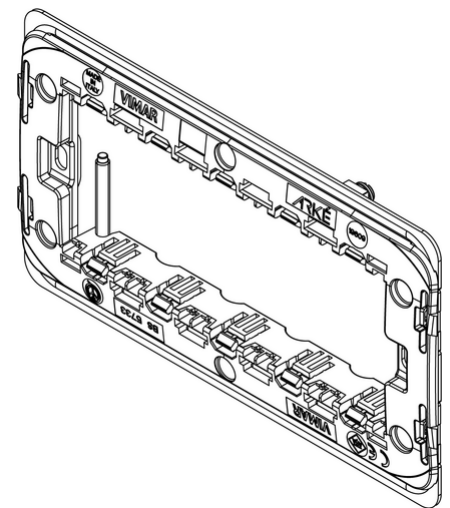
Drawings



Space view



Backside view



3D View

Certifications

- 00. CE Marking - EU
- 01. IMQ - Italy ([download](#))
- 08. ASTA - UK ([download](#))
- 96. Electrotechnical expert ([download](#))

Technical data

Class group: Domestic switching devices

Class: Holder for modular domestic switching devices

Model: Flush-mounted

Type of fastening: Other

Mounting method of the module inserts: Front side

Mounting direction: Horizontal and vertical

Number of modules horizontal (module system): 5

Number of modules vertical (module system): 1

With built-in installation box: No

With screws: Yes

Suitable for mounting in round junction box 60 mm: No

Flush-mounted installation: Yes

Suitable for subfloor installation duct box: No

Suitable for wall duct: No

Suitable for mounting on DIN-rail 35 mm: No

Material: Plastic

Material quality: Thermoplastic

Surface protection: Untreated

Packaging



8007352589216

Qtà 1 NR
Dim 14.4x8.25x1.66 [cm]

Weight 72.7 [g]



8007352589223

Qtà 10 NR
Dim 19x14.3x9.5 [cm]
Weight 722.7 [g]

Legal

Vimar reserves the right to change at any time and without notice the characteristics of the products reported. Installation should be carried out by qualified staff in compliance with the current regulations regarding the installation of electrical equipment in the country where the products are installed. For the terms of use of the information on the product info sheet see [Condizioni di utilizzo](#).