



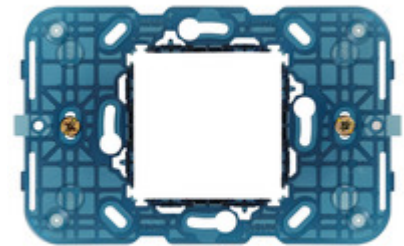
ARKÉ: Frame 2centralM +screws

19612

Wiring devices / Traditional wiring devices / ARKÉ / Mounting frames

Frame 2centralM +screws

2-central-module mounting frame, with screws, for 3-module mounting frame and 60 mm fixing centres or 56x56 mm mounting box, for horizontal or vertical installation



- The transparency helps the installation and the wiring of devices
- The honeycomb structure gives structural strength
- The slots in the corners enable fixing to the panel
- The hooking teeth encourage fixing in series for the installation of multiple modules
- Thanks to the central slots, the support can be fixed onto the wall level

Product Status

3 - Active

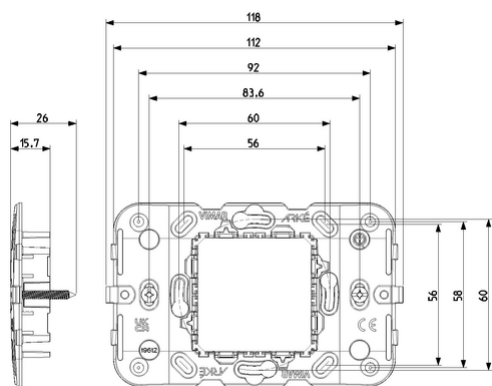
Minimum order quantity

20 NR

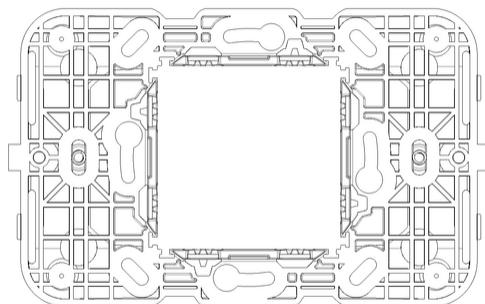
Gallery



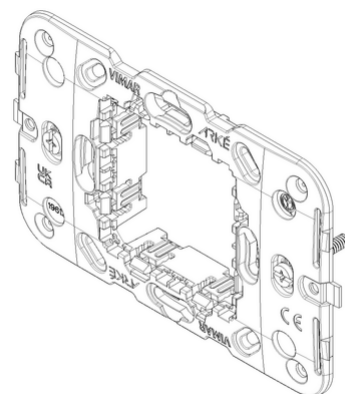
Drawings



Space view



Backside view



3D View

Certifications

- 00. CE Marking - EU
- 01. IMQ - Italy ([download](#))
- 96. Electrotechnical expert ([download](#))

Technical data

Class group: Domestic switching devices

Class: Holder for modular domestic switching devices

Model: Flush-mounted

Type of fastening: Other

Mounting method of the module inserts: Front side

Mounting direction: Horizontal and vertical

Number of modules horizontal (module system): 2

Number of modules vertical (module system): 1

With built-in installation box: No

With screws: Yes

Suitable for mounting in round junction box 60 mm: No

Flush-mounted installation: Yes

Suitable for subfloor installation duct box: No

Suitable for wall duct: No

Suitable for mounting on DIN-rail 35 mm: No

Material: Plastic

Material quality: Thermoplastic

Surface protection: Untreated

Packaging



8 007352 433502

8007352433502

Qtà 1 NR

Dim 11.8x7.3x2.1
[cm]

Weight 23.2 [g]



8 007352 433526

8007352433526

Qtà 20 NR

Dim 24.4x13.9x11.9
[cm]

Weight 563.2 [g]



8 007352 644380

8007352644380

Qtà 120 NR

Dim 38.5x29.5x25
[cm]

Weight 3,832 [g]

You may also be interested in



[07937 - Screw for frame fixing - 35mm](#)



[07939 - Screw for frame fixing - 50 mm](#)

Legal

Vimar reserves the right to change at any time and without notice the characteristics of the products reported. Installation should be carried out by qualified staff in compliance with the current regulations regarding the installation of electrical equipment in the country where the products are installed. For the terms of use of the information on the product info sheet see [Conditions of Use](#).